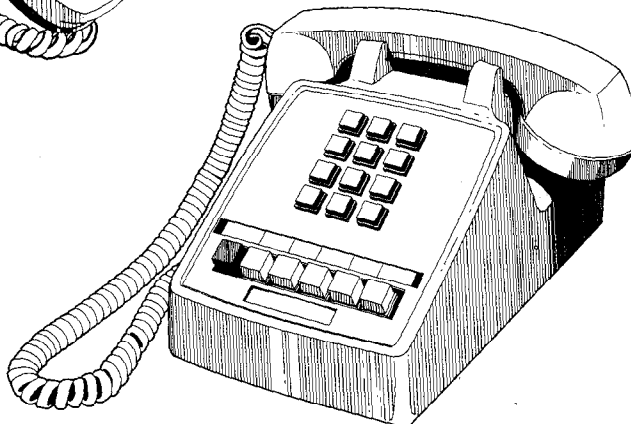
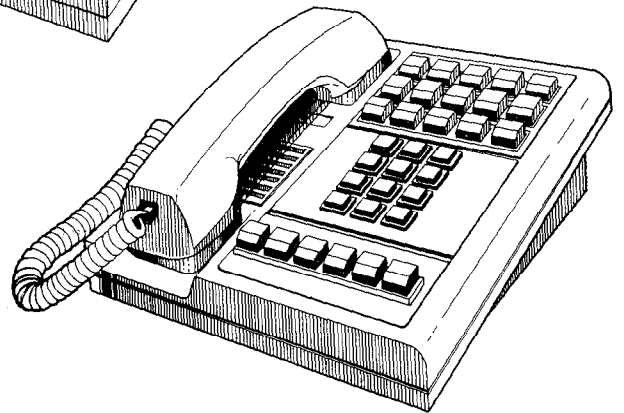
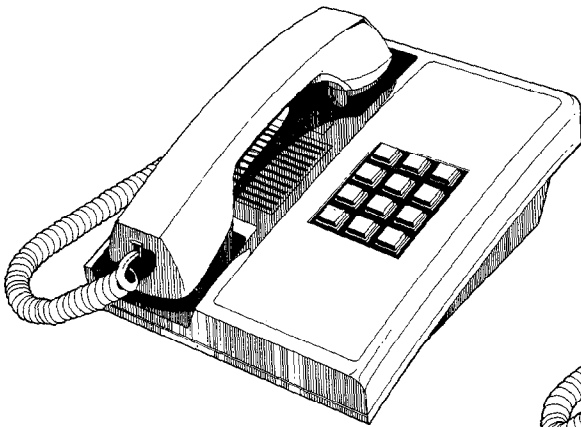


COMDIAL

Business Communications Division

Single and Multiline Telephones

(MAXPLUS, MAXKEY, SLENDERET DELUXE
& 2564/2565 SERIES)



Wiring Diagrams
IMI 10-002
March, 1984



WIRING DIAGRAMS FOR THE MAXPLUS, MAXKEY,
SLENDERET DELUXE, AND 2564/2565 SERIES OF TELEPHONES

PUBLICATION INDEX

<u>SUBJECT</u>	<u>PAGE NO.</u>
INTRODUCTION.....	1
GENERAL INFORMATION.....	1
DRAWING INDEX.....	2

INTRODUCTION

The purpose of this publication is to present wiring diagrams for field service use. Covered herein are wiring diagrams for the MAXPLUS, MAXKEY, SLENDERET DELUXE, and 2564/2565 series of telephone sets.

Additional technical literature and in depth service support are available by calling (800) 446-7661, or in Virginia: (804) 978-2288.

GENERAL INFORMATION

Comdial telephones have a final inspection nameplate applied to the bottom of the housing. This nameplate information includes the model number of the telephone. This model number appears in the drawing index of this publication to cross reference to the proper wiring diagram for the associated telephone set. A * symbol is shown in the indexed model numbers. It is used to indicate the location of an identification code included in the actual model number found on the telephone set. This code denotes special features of the telephone set.

The drawing index is arranged so that the telephone model numbers are listed in ascending alpha-numeric order under the various function headings to aid in initial lookup. The actual wiring diagrams are filed in the book in an ascending numeric order based upon the number assigned to the drawing. This order is followed to aid in the location of the desired drawing.

To use the index, obtain the telephone model number from the inspection nameplate. Locate that number in the model number column. Note the specified wiring diagram in the drawing number column. Locate the wiring diagram drawing in the drawings section of this publication.

DRAWING INDEX

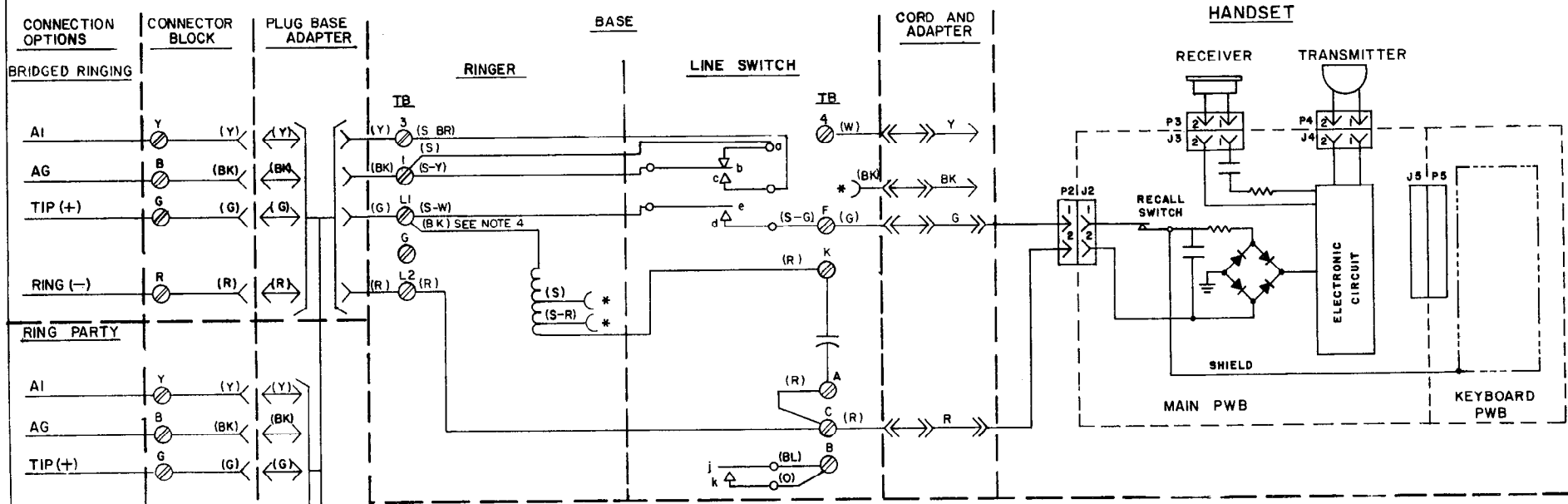
OLD MODEL NUMBER	NEW MODEL NUMBER	EQUIPMENT DESCRIPTION	DRAWING NUMBER
TELEPHONES, SINGLE LINE			
● Single Line Slenderet Deluxe			
	2300--*--*	STANDARD DESK	703021-100 Sh. 1
	2354--*--*	STANDARD WALL	703021-100 Sh. 1
● Single Line MAXPLUS 3525 Series			
3525D-C-W-*--*	3525--*-CM-900M	STANDARD	727500-000 Sh. 1
3525D-C-W-B-*	3525--*-CW-907M	TAP	727020-000 Sh. 1
3525S-C-W-BY-*	3525--*-CW-979S	TAP, SPEAKERPHONE CONN. MESSAGE WAITING (90V)	727260-000 Sh. 1
3525D-C-W-BY-*	3525--*-CW-979M	TAP, MESSG.WAITING (90V)	727220-000 Sh. 1
● Single Line MAXPLUS 3625 Series			
	3625--*-CW-900M	STANDARD	727500-000 Sh. 1
	3625--*-CW-907M	TAP	727827-000 Sh. 1
TELEPHONES, KEY SYSTEMS			
● 5-Line 2564/2565 Series			
	2564--*-CW-900M	STANDARD	703510-000 Sh. 1,2
	2564--*-CW-907M	TAP	703510-200 Sh. 1,2
	2565--*-CW-900S	SPEAKERPHONE CONN.	703510-100 Sh. 1,2
	2565--*-CW-902S	SPKR. CONN., EXCLUSION	703510-100 Sh. 1,2
● 5-Line MAXPLUS 3528 Series			
3528D-C-*	3528--*-CW-900M	STANDARD	703802-500 Sh. 1,2
3528D-C-*	3528--*-CW-907M	TAP	727427-000 Sh. 1
3528S-C-*	3528--*-CW-900S	SPEAKERPHONE CONN.	703805-210 Sh. 1,2
3528S-C-*	3528--*-CW-907S	TAP, SPKR. PHONE CONN.	727467-000 Sh. 1,2
3528D-C-*	3528--*-CW-937M	FOR SAN-BAR SB6660 KSU	703802-600 Sh. 1,2
● 5-Line MAXPLUS 3528 Series with Call Announce Speaker			
	3528--*-CW-938M	STANDARD	727707-000 Sh. 1,2
	3528--*-CW-939M	TAP	727727-000 Sh. 1,2
	3528--*-CW-938S	SPEAKERPHONE CONN.	727747-000 Sh. 1,2
	3528--*-CW-939S	TAP, SPKR. PHONE CONN.	727767-000 Sh. 1,2

Continued

Drawing Index-continued

OLD MODEL NUMBER	NEW MODEL NUMBER	EQUIPMENT DESCRIPTION	DRAWING NUMBER
TELEPHONES, ELECTRONIC KEY SYSTEMS			
● MAKKEY 3519 Series			
	3519-1Y-CT-900M STANDARD		703801-550 Sh. 1
TELEPHONES, HANDSFREE			
● Maxplus 3644/3654 Series			
	3644-*-*-*	STANDARD DESK	726176-000 Sh. 1
	3654-*-*-*	STANDARD WALL	726176-000 Sh. 1

**COMDIAL TELEPHONE SYSTEMS
SLENDERET TONE DIAL TELEPHONE
WITH "A" LEAD CONTROL
(2300 SERIES)
CONNECTING DIAGRAM**



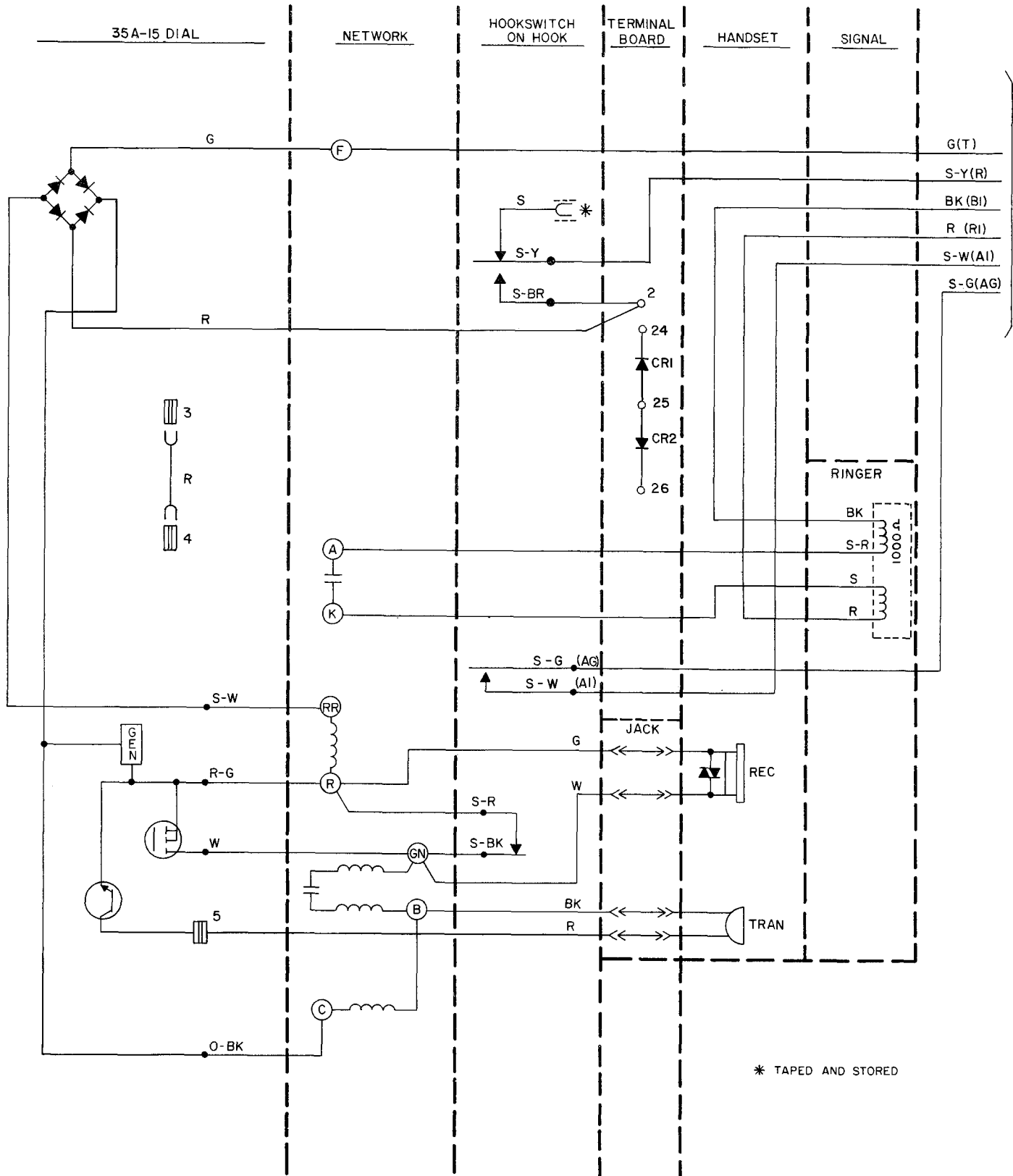
* TAPE AND STORE

PARTY	CONNECTIONS FOR 4 PARTY SELECTIVE OR 8 PARTY SEMISELECTIVE RINGING											
	MOUNTING CORD AT TERMINAL BOARD			703025 288 DIODE		RINGER			STRAP FROM A	LINE SWITCH	HANDSET CORD AT TERMINAL BOARD	
LEADS	RING R	TIP G	GRD W	YEL 6	K-O	BK	R	S-R	BK	S	R	G
-RING	L2	L1	3	L2	G	K	3	G	3	INSULATE & STORE	C	F
-TIP	L1	L2	3	L2	G	K	3	G	3		F	C
+RING	L2	L1	3	3	G	K	L2	G	L2		C	F
+TIP	L1	L2	3	3	G	K	L2	G	L2		F	C

NOTES

1. GROUND MAY BE OMITTED IF NOT REQUIRED FOR SERVICE.
2. TO PERMANENTLY SILENCE RINGER, REMOVE RINGER LEAD FROM K, INSULATE AND STORE.
3. MOUNT CAPACITOR SUPPLIED WITH RINGER BETWEEN A AND K TERMINALS. BE SURE THE CAPACITOR DOES NOT INTERFERE WITH RINGER GONG.
4. FOR DIVIDED RINGING, CONNECT RINGER (BK) TO 3.
5. THE STANDARD LINE CORD (IF SUPPLIED) CONTAINS (2) CONDUCTORS, R AND G; A FOUR CONDUCTOR LINE CORD MUST BE USED IF "A" LEAD CONTROL IS DESIRED.

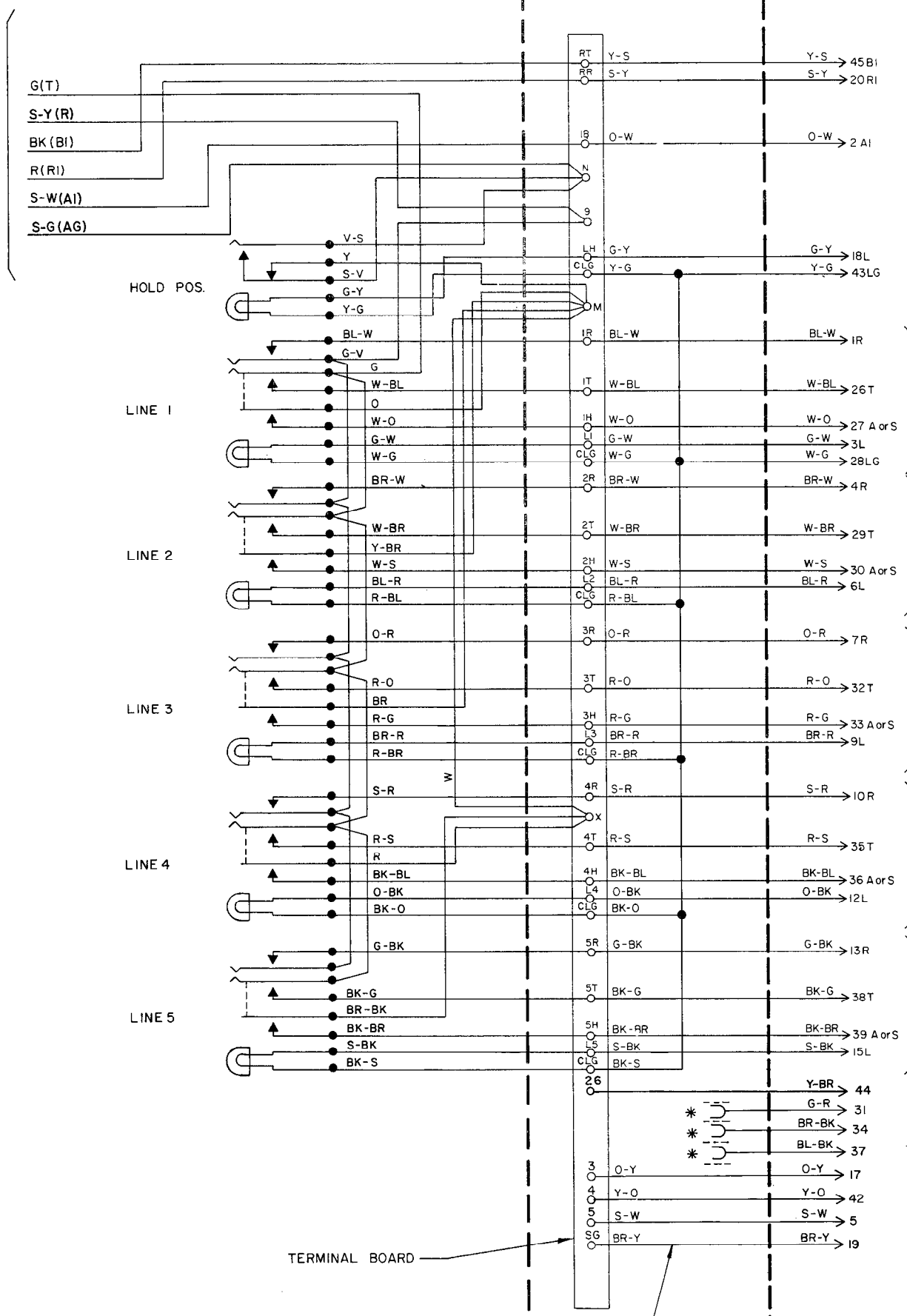
2564 6-BUTTON KEY TELEPHONE (STANDARD)



NOTES:

- (1) CONNECT STATIC SHIELD TO TERMINAL 1B.
- (2) BUSY LAMP OPERATION: 24 VDC - REMOVE S-G WIRE FROM TERMINAL N AND CONNECT TO TERMINAL 25. REMOVE TELEPHONE MOUNTING CORD WIRE 44 FROM TERMINAL 26 AND CONNECT TO 25. INSTALL DIODE CR1 (703801-034). 18 VAC - REMOVE S-G WIRE FROM TERMINAL N AND CONNECT TO TERMINAL 25. INSTALL CR1 (703801-034) AND CR2 (703801-034).
- (3) CONDUCTOR COLORS: BODY FIRST, TRACER SECOND.
- (4) CONNECT AUDIBLE SIGNAL (USING STANDARD RINGING VOLTAGE) AS SHOWN IN WIRING DIAGRAM. EXCEPTIONS: WHEN CAPACITOR IS NOT REQUIRED, WIRE ONE SIDE OF AUDIBLE SIGNAL TO TERMINAL "A" INSTEAD OF TERMINAL "K" (EXAMPLES: FREQUENCY RINGERS, TONE RINGERS, Q-20 BUZZERS).
- (5) TO DEFEAT POLARITY GUARD, TURN SCREW CLOCKWISE UNTIL SNUG.

CONNECTOR
A LINE CORD



LINE 1

LINE 2

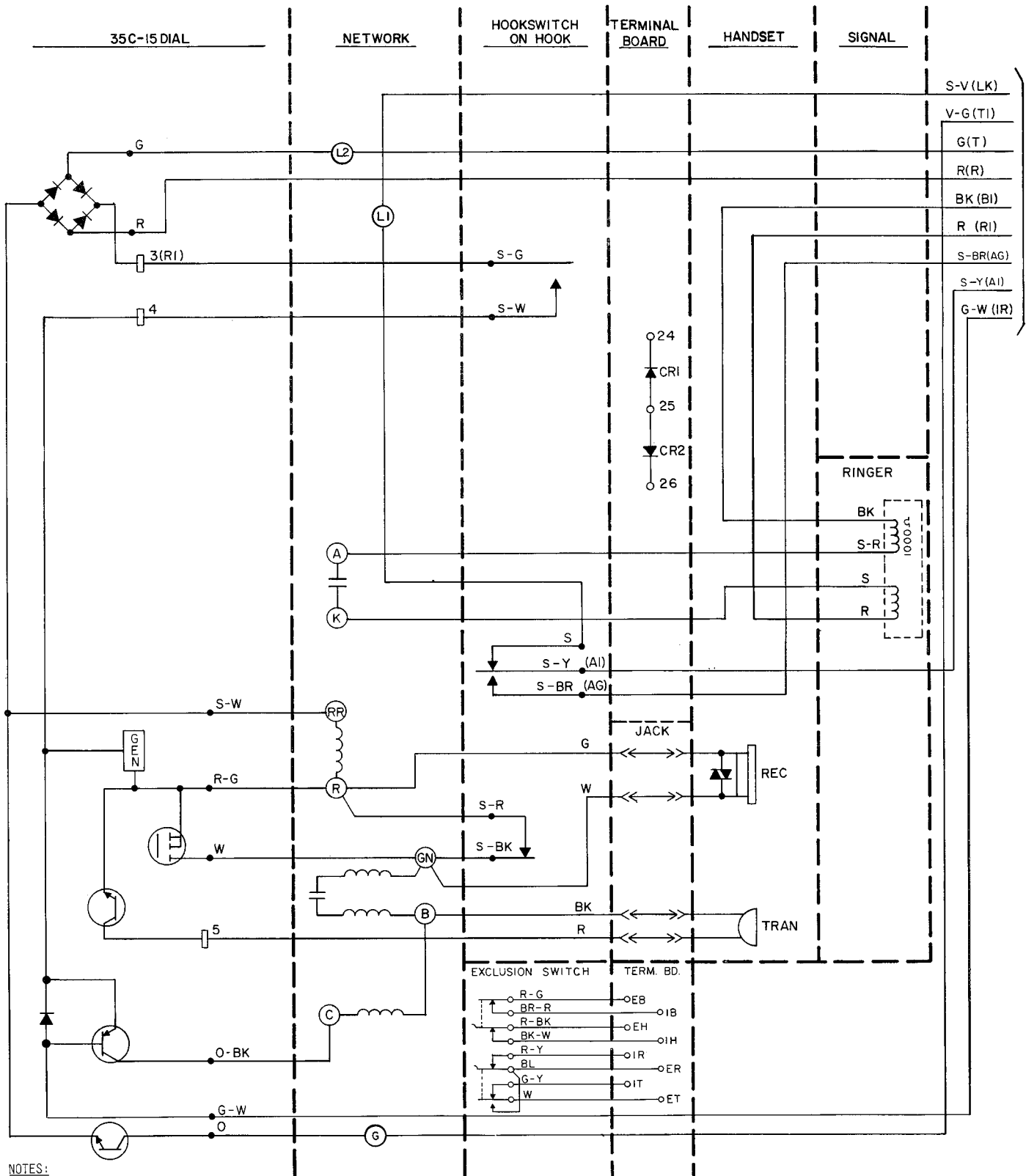
LINE 3

LINE 4

LINE 5

* TAPED AND STORED

2565 6-BUTTON KEY TELEPHONE (SPEAKERPHONE, EXCLUSION OPTION)

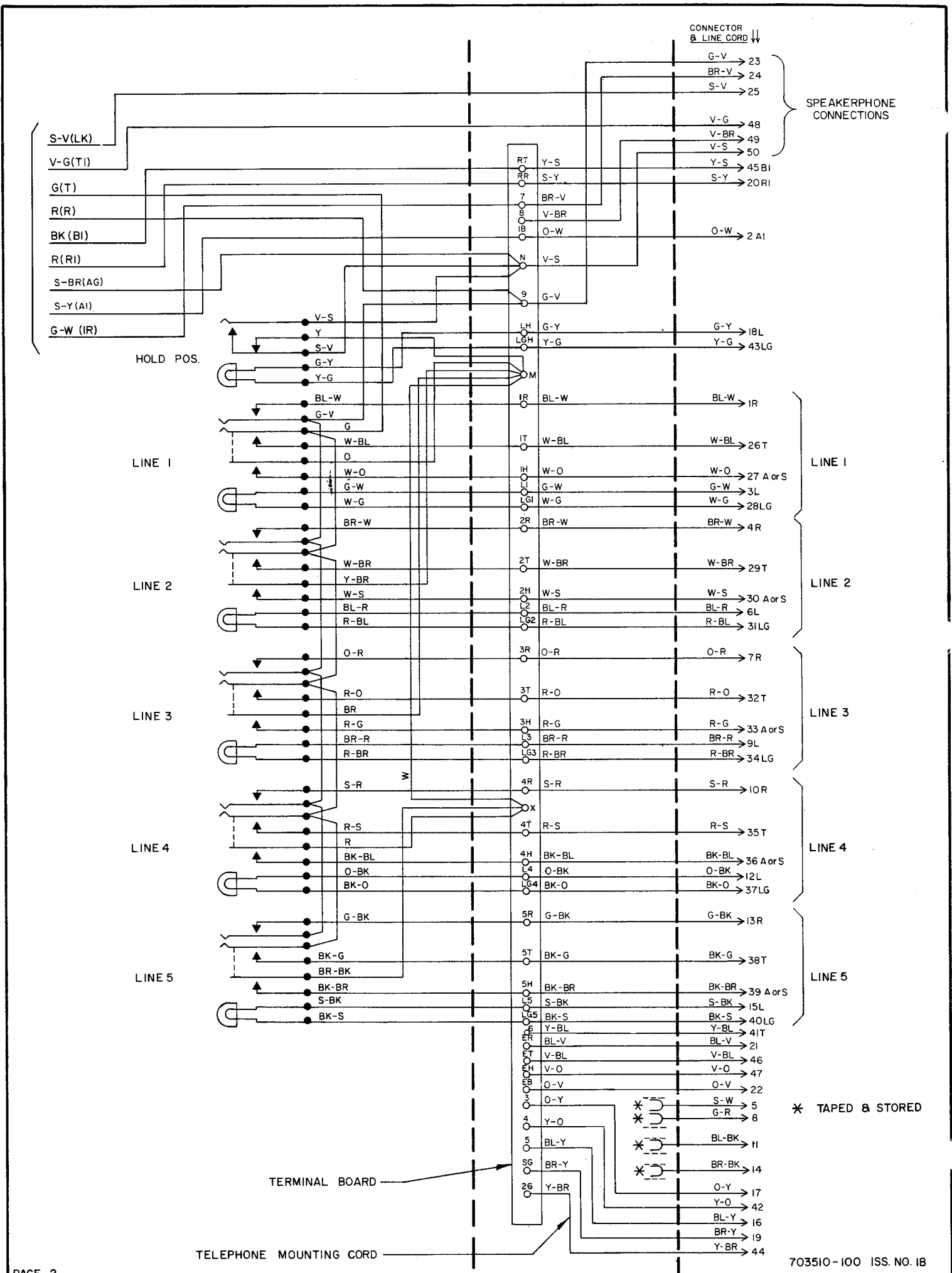


NOTES:

- (1) CONNECT STATIC SHIELD TO TERMINAL 1B.
- (2) DESIGNATIONS IN () FOR SPEAKERPHONE CONNECTIONS.
- (3) TO DEFEAT POLARITY GUARD, TURN SCREW CLOCKWISE UNTIL SNUG.
- (4) BUSY LAMP OPERATION: 24 VDC - REMOVE S-G WIRE FROM TERMINAL N AND CONNECT TO TERMINAL 25. REMOVE TELEPHONE MOUNTING CORD WIRE 44 FROM TERMINAL 26 AND CONNECT TO 25. INSTALL DIODE CR1 (703801-034), 18 VAC. REMOVE S-G WIRE FROM TERMINAL 26 N AND CONNECT TO TERMINAL 25. INSTALL CR1 (703801-034) AND CR2 (703801-034).
- (5) CONDUCTOR COLORS: BODY FIRST, TRACER SECOND.
- (6) CONNECT AUDIBLE SIGNAL (USING STANDARD RINGING VOLTAGE AS SHOWN IN WIRING DIAGRAM. EXCEPTIONS: WHEN CAPACITOR IS NOT REQUIRED, WIRE ONE SIDE OF AUDIBLE SIGNAL TO TERMINAL "A" INSTEAD OF TERMINAL "K". (EXAMPLES: FREQUENCY RINGERS, TONE RINGERS, Q-20 BUZZERS).
- (7) EXCLUSION AND SPEAKERPHONE LEADS NOT ASSOCIATED WITH THESE FEATURES MUST BE DISCONNECTED, INDIVIDUALLY TAPED AND STORED WHEN TWO OR MORE TELEPHONE SETS ARE CONNECTED IN MULTIPLE THROUGH CONNECTING BLOCKS OR BRIDGING ADAPTERS.
- (8) TO DEFEAT POLARITY GUARD, TURN SCREW CLOCKWISE UNTIL SNUG.

OPTION:

- (9) AN 8-24 VAC BUZZER (Q-20, 703015-729) CAN BE MOUNTED INTERNALLY AND CONNECTED TO RINGER LEADS OR TO SPARE (Y-O AND O-Y) PAIR AS REQUIRED.



SPEAKERPHONE CONNECTIONS

LINE 1

LINE 2

LINE 3

LINE 4

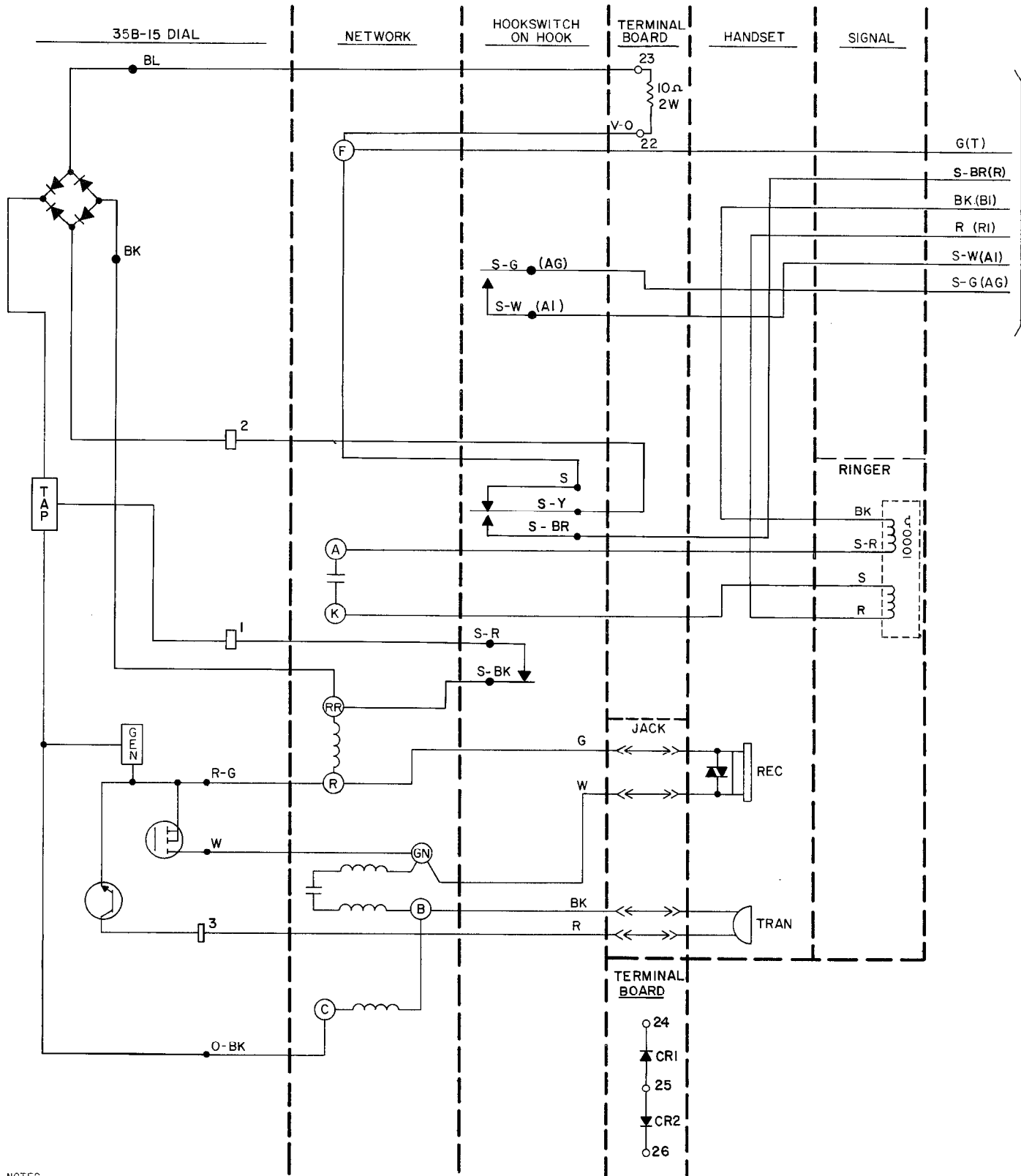
LINE 5

* TAPED & STORED

TERMINAL BOARD

TELEPHONE MOUNTING CORD

2564 6-BUTTON KEY TELEPHONE (TAP)



NOTES:

- (1) CONNECT STATIC SHIELD TO TERMINAL 1B.
- (2) BUSY LAMP OPERATION: 24 VDC - REMOVE S-G WIRE FROM TERMINAL N AND CONNECT TO TERMINAL 25. REMOVE TELEPHONE MOUNTING CORD WIRE 44 FROM TERMINAL 26 AND CONNECT TO 25. INSTALL DIODE CR1 (703801-034). 18 VAC - REMOVE S-G WIRE FROM TERMINAL N AND CONNECT TO TERMINAL 25. INSTALL CR1 (703801-034) AND CR2 (703801-034).
- (3) CONDUCTOR COLORS: BODY FIRST, TRACER SECOND.
- (4) CONNECT AUDIBLE SIGNAL (USING STANDARD RINGING VOLTAGE) AS SHOWN IN WIRING DIAGRAM. EXCEPTIONS: WHEN CAPACITOR IS NOT REQUIRED, WIRE ONE SIDE OF AUDIBLE SIGNAL TO TERMINAL "A" INSTEAD OF TERMINAL "K" (EXAMPLES: FREQUENCY RINGERS, TONE RINGERS, Q-20 BUZZERS).
- (5) TO DEFEAT POLARITY GUARD, TURN SCREW CLOCKWISE UNTIL SNUG.

CONNECTOR
A LINE CORD

G(T)
S-BR(R)
BK(BI)
R(RI)
S-W(AI)
S-G(AG)

HOLD POS.

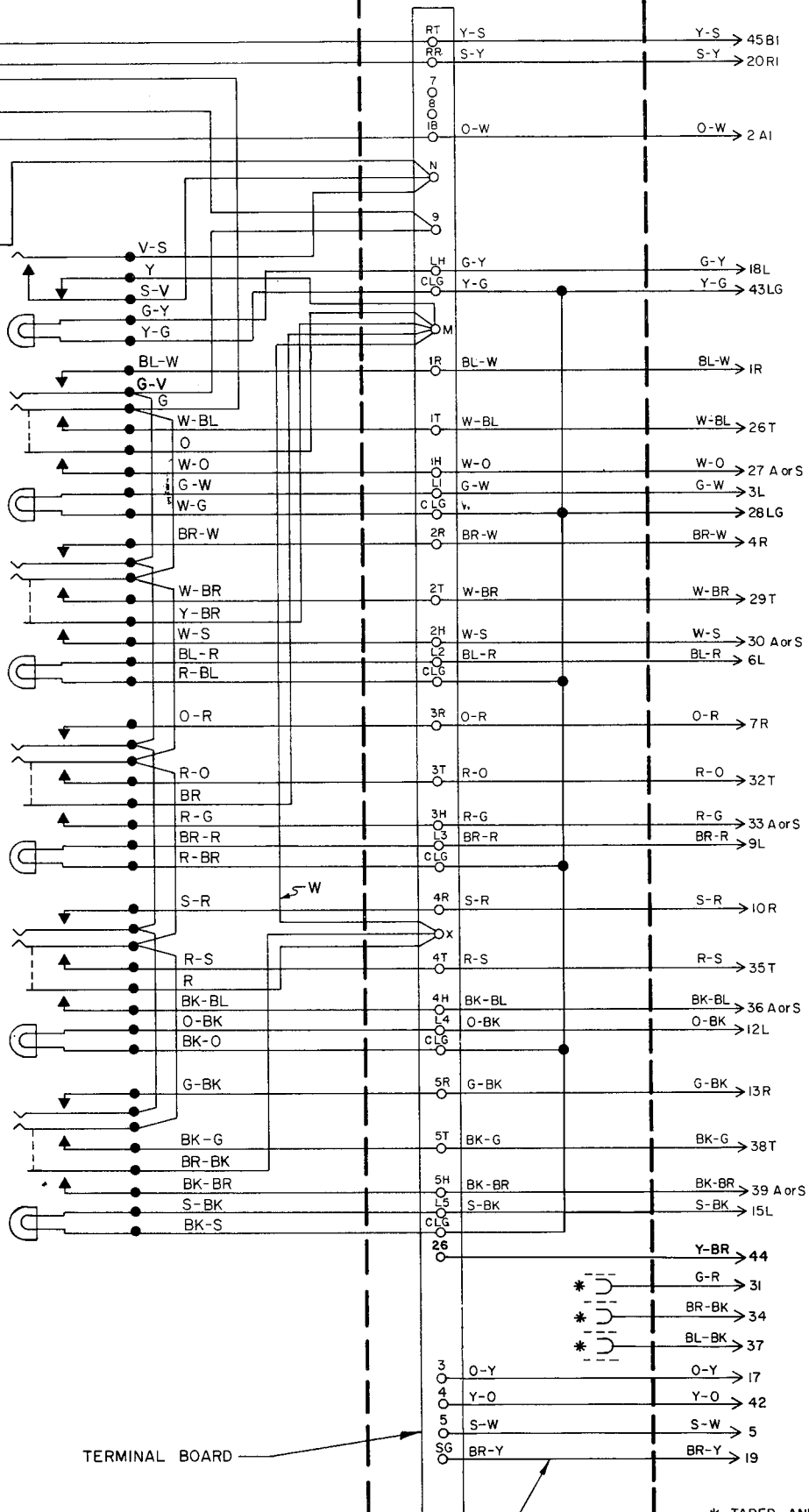
LINE 1

LINE 2

LINE 3

LINE 4

LINE 5

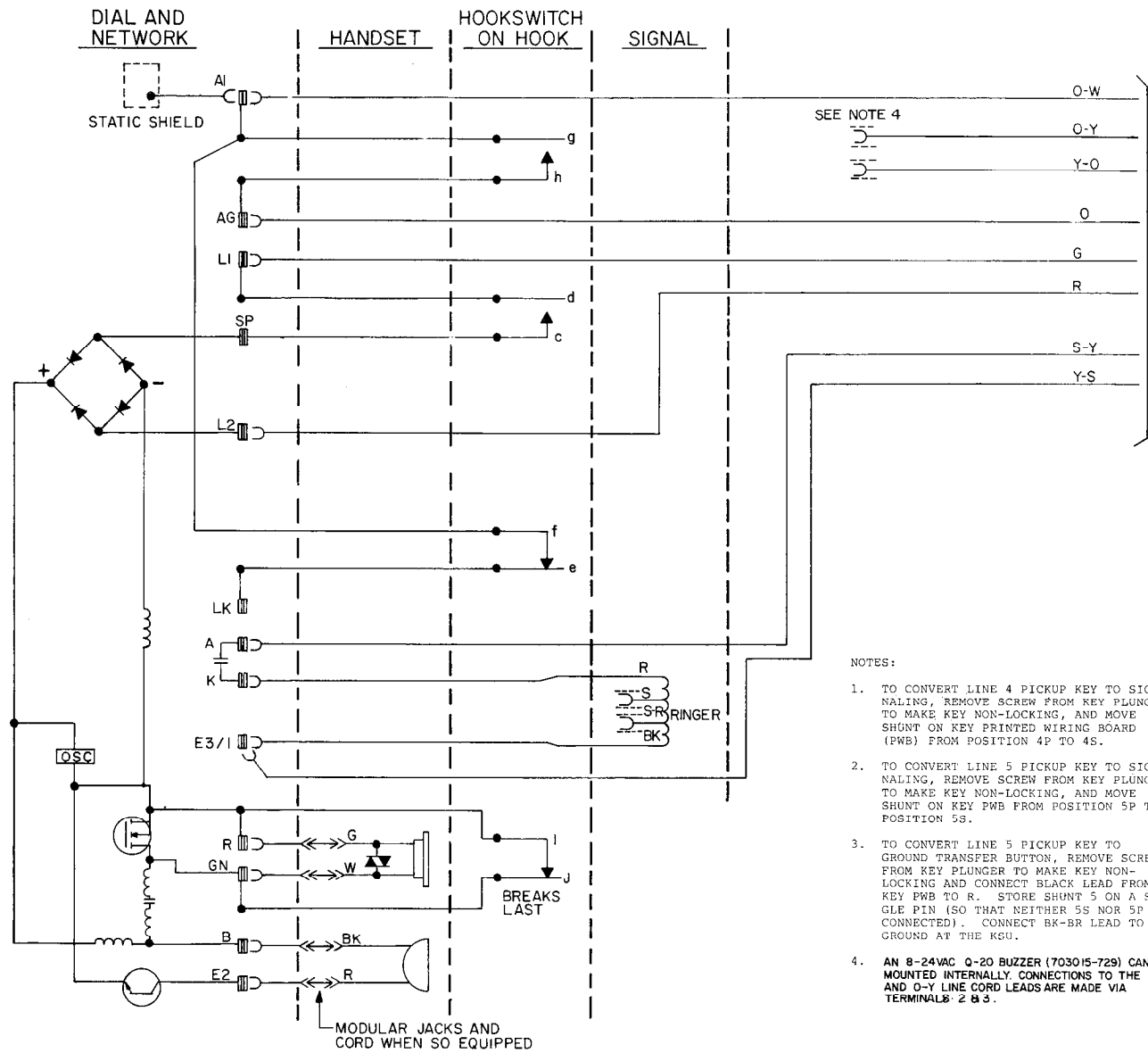


TERMINAL BOARD

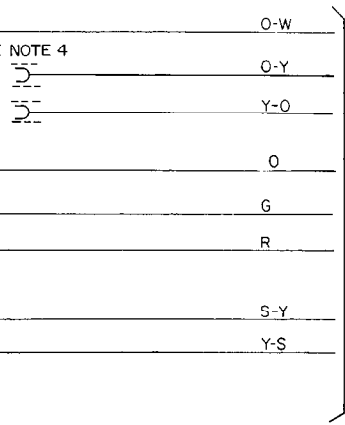
TELEPHONE MOUNTING CORD

* TAPED AND STORED

3528D 6 BUTTON TELEPHONE



SEE NOTE 4

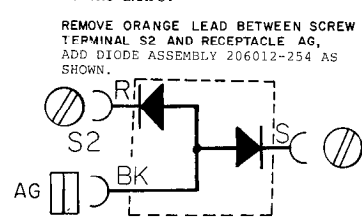
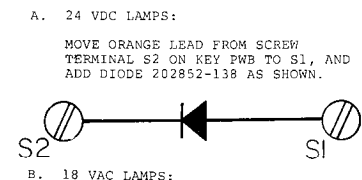


- NOTES:
1. TO CONVERT LINE 4 PICKUP KEY TO SIGNALING, REMOVE SCREW FROM KEY PLUNGER TO MAKE KEY NON-LOCKING, AND MOVE SHUNT ON KEY PRINTED WIRING BOARD (PWB) FROM POSITION 4P TO 4S.
 2. TO CONVERT LINE 5 PICKUP KEY TO SIGNALING, REMOVE SCREW FROM KEY PLUNGER TO MAKE KEY NON-LOCKING, AND MOVE SHUNT ON KEY PWB FROM POSITION 5P TO POSITION 5S.
 3. TO CONVERT LINE 5 PICKUP KEY TO GROUND TRANSFER BUTTON, REMOVE SCREW FROM KEY PLUNGER TO MAKE KEY NON-LOCKING AND CONNECT BLACK LEAD FROM KEY PWB TO R. STORE SHUNT 5 ON A SINGLE PIN (SO THAT NEITHER 5S NOR 5P IS CONNECTED). CONNECT BK-BR LEAD TO GROUND AT THE KSU.
 4. AN 8-24VAC 0-20 BUZZER (703015-729) CAN BE MOUNTED INTERNALLY. CONNECTIONS TO THE Y-O AND O-Y LINE CORD LEADS ARE MADE VIA TERMINALS 2 & 3.

LEGEND

- .025 SQUARE PIN
- (PLUG COLOR) 4-WIRE PLUG
- PWB RECEPTACLE
- SPADE TERMINAL
- SLEEVED AND STORED

5. WIRING FOR USE WITH A BUSY STATION NUMBER DISPLAY:



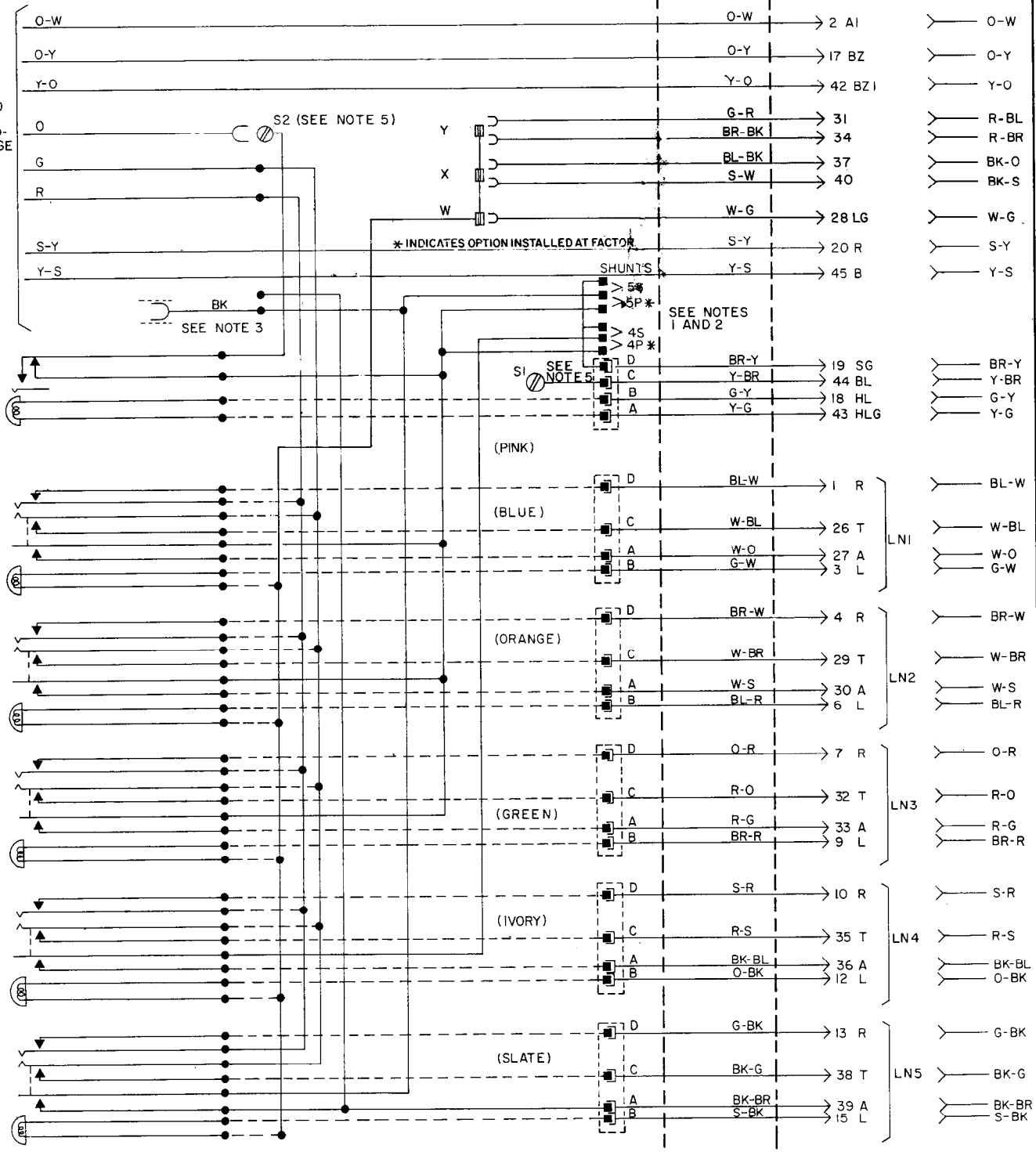
CONT'D FROM PRECEDING PAGE

KEY

LINE CORD

CONNECTOR

EXTERNAL CABLE



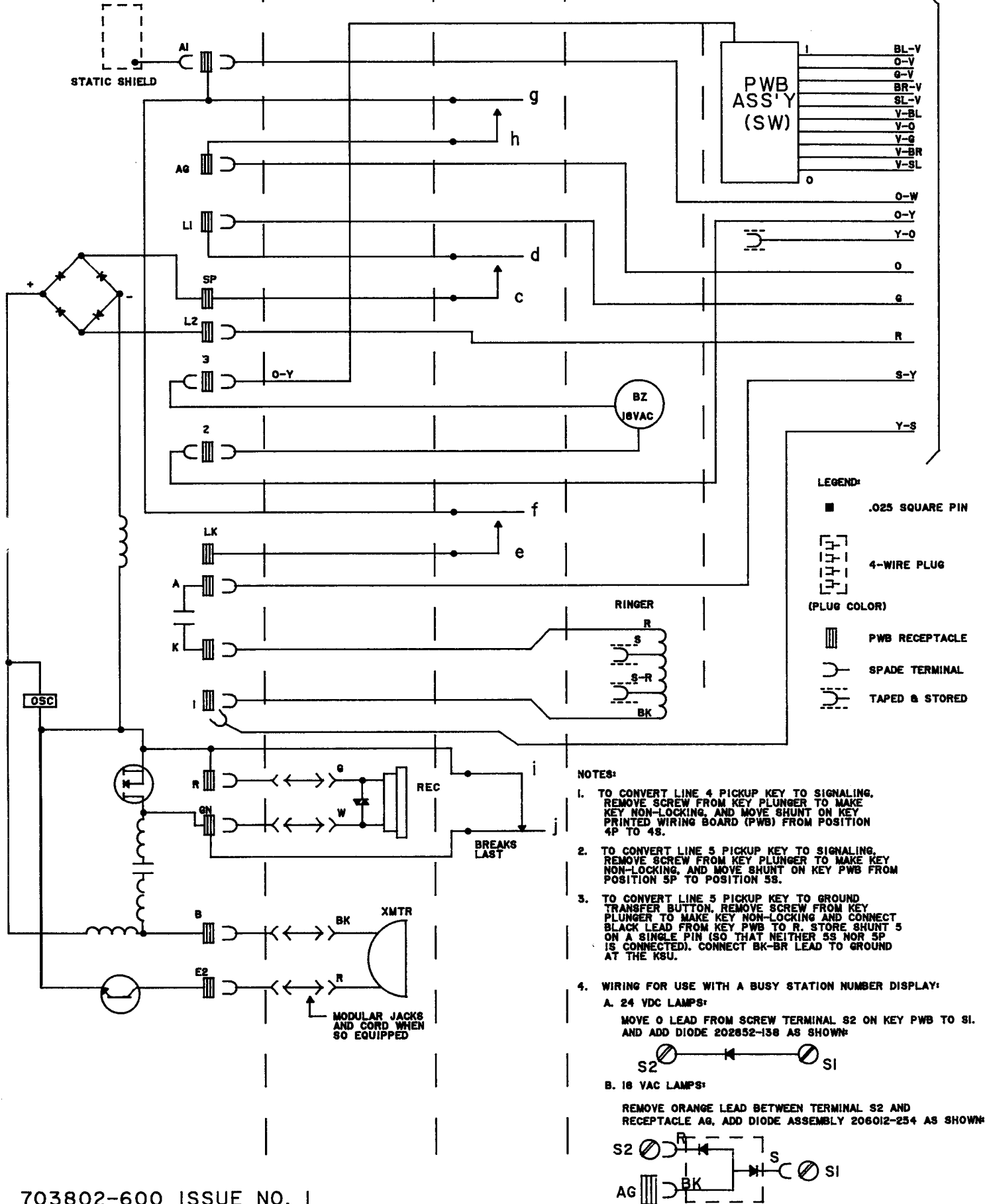
3528D-6 BUTTON TELEPHONE

DIAL AND NETWORK

HANDSET

HOOKSWITCH ON HOOK

SIGNAL



LEGEND:

- .025 SQUARE PIN
- [] 4-WIRE PLUG
- (PLUG COLOR)
- ▮ PWB RECEPTACLE
- ┌┐ SPADE TERMINAL
- ┌┐ TAPED & STORED

NOTES:

1. TO CONVERT LINE 4 PICKUP KEY TO SIGNALING, REMOVE SCREW FROM KEY PLUNGER TO MAKE KEY NON-LOCKING, AND MOVE SHUNT ON KEY PRINTED WIRING BOARD (PWB) FROM POSITION 4P TO 4S.
2. TO CONVERT LINE 5 PICKUP KEY TO SIGNALING, REMOVE SCREW FROM KEY PLUNGER TO MAKE KEY NON-LOCKING, AND MOVE SHUNT ON KEY PWB FROM POSITION 5P TO POSITION 5S.
3. TO CONVERT LINE 5 PICKUP KEY TO GROUND TRANSFER BUTTON, REMOVE SCREW FROM KEY PLUNGER TO MAKE KEY NON-LOCKING AND CONNECT BLACK LEAD FROM KEY PWB TO R. STORE SHUNT 5 ON A SINGLE PIN (SO THAT NEITHER 5S NOR 5P IS CONNECTED). CONNECT BK-BR LEAD TO GROUND AT THE KSU.
4. WIRING FOR USE WITH A BUSY STATION NUMBER DISPLAY:
 - A. 24 VDC LAMPS:

MOVE O LEAD FROM SCREW TERMINAL S2 ON KEY PWB TO SI. AND ADD DIODE 202652-138 AS SHOWN:

```

                    S2 ---|<--- SI
                    
```
 - B. 18 VAC LAMPS:

REMOVE ORANGE LEAD BETWEEN TERMINAL S2 AND RECEPTACLE AG, ADD DIODE ASSEMBLY 206012-254 AS SHOWN:

```

                    S2 ---|<--- R ---|<--- BK ---|<--- SI
                    AG ---|<--- BK
                    
```

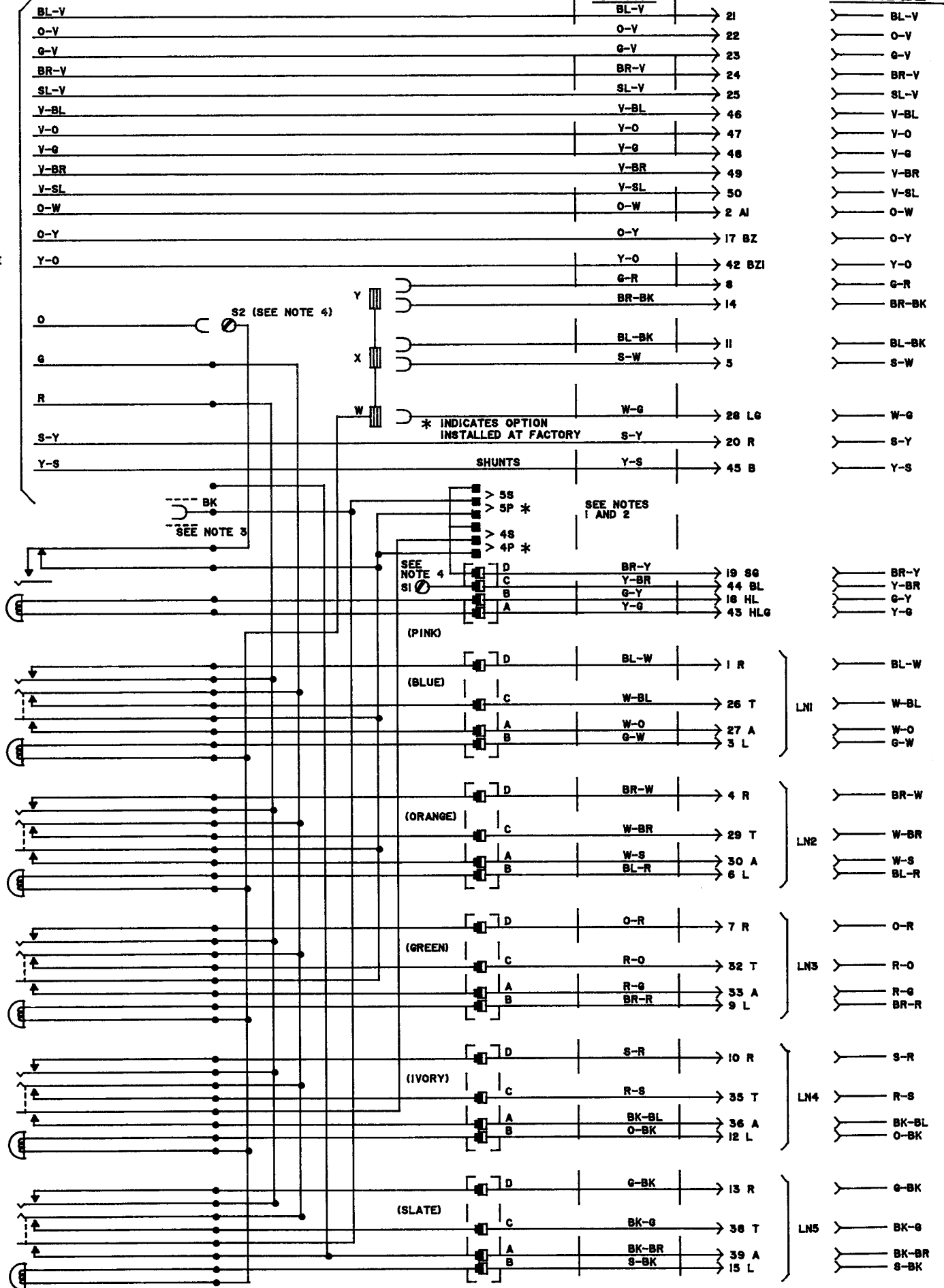
KEY

LINE CORD

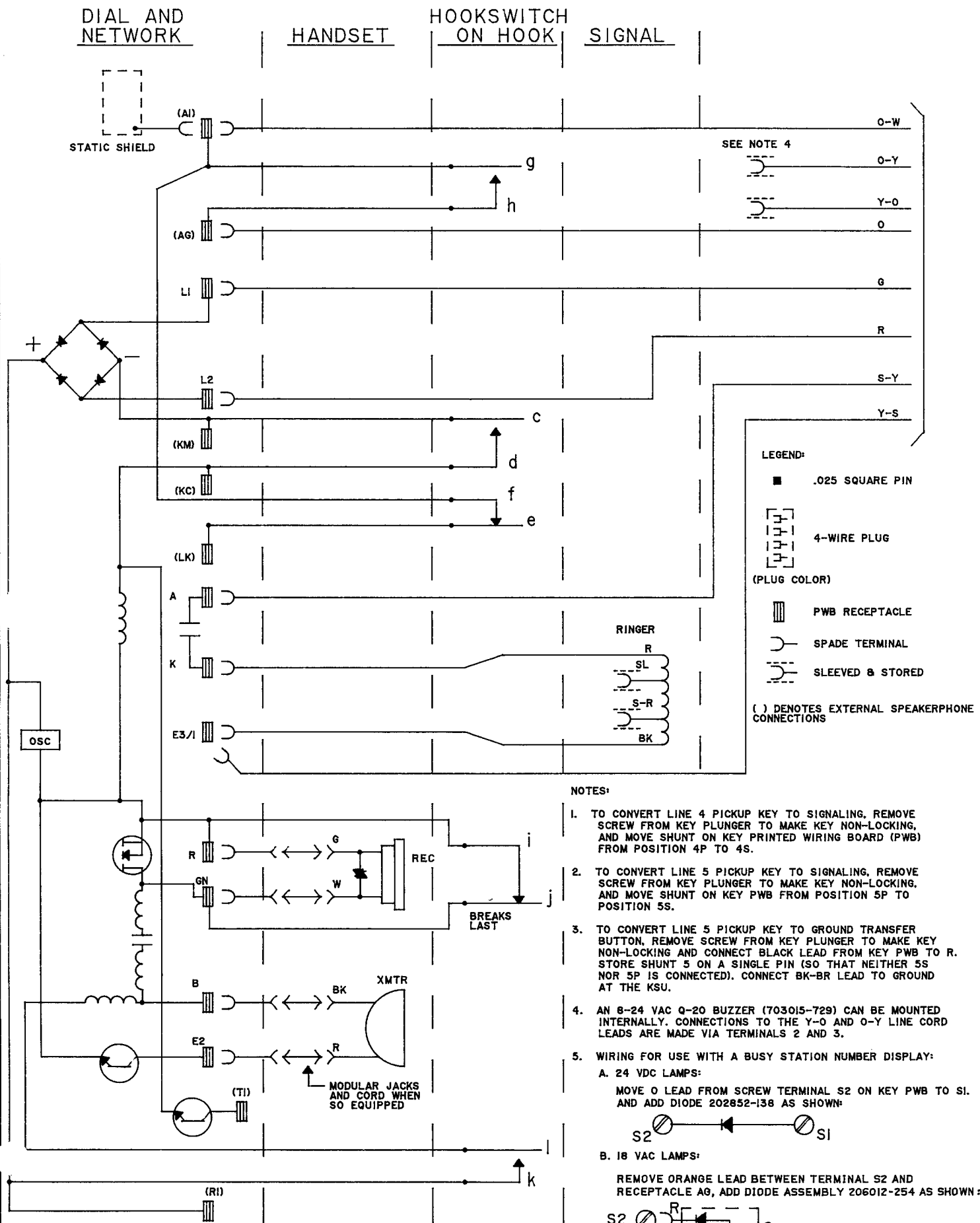
CONNECTOR

EXTERNAL CABLE

CONT'D FROM PRECEDING PAGE



COMDIAL 3528S 6 BUTTON TELEPHONE



LEGEND:

- .025 SQUARE PIN
- [] 4-WIRE PLUG
- (PLUG COLOR)
- [] PWB RECEPTACLE
- SPADE TERMINAL
- SLEEVED & STORED
- () DENOTES EXTERNAL SPEAKERPHONE CONNECTIONS

- NOTES:**
1. TO CONVERT LINE 4 PICKUP KEY TO SIGNALING, REMOVE SCREW FROM KEY PLUNGER TO MAKE KEY NON-LOCKING, AND MOVE SHUNT ON KEY PRINTED WIRING BOARD (PWB) FROM POSITION 4P TO 4S.
 2. TO CONVERT LINE 5 PICKUP KEY TO SIGNALING, REMOVE SCREW FROM KEY PLUNGER TO MAKE KEY NON-LOCKING, AND MOVE SHUNT ON KEY PWB FROM POSITION 5P TO POSITION 5S.
 3. TO CONVERT LINE 5 PICKUP KEY TO GROUND TRANSFER BUTTON, REMOVE SCREW FROM KEY PLUNGER TO MAKE KEY NON-LOCKING AND CONNECT BLACK LEAD FROM KEY PWB TO R. STORE SHUNT 5 ON A SINGLE PIN (SO THAT NEITHER 5S NOR 5P IS CONNECTED). CONNECT BK-BR LEAD TO GROUND AT THE KSU.
 4. AN 8-24 VAC Q-20 BUZZER (703015-729) CAN BE MOUNTED INTERNALLY. CONNECTIONS TO THE Y-O AND O-Y LINE CORD LEADS ARE MADE VIA TERMINALS 2 AND 3.
 5. WIRING FOR USE WITH A BUSY STATION NUMBER DISPLAY:
 - A. 24 VDC LAMPS:
MOVE O LEAD FROM SCREW TERMINAL S2 ON KEY PWB TO S1. AND ADD DIODE 202852-138 AS SHOWN:
 - B. 18 VAC LAMPS:
REMOVE ORANGE LEAD BETWEEN TERMINAL S2 AND RECEPTACLE AG, ADD DIODE ASSEMBLY 206012-254 AS SHOWN:

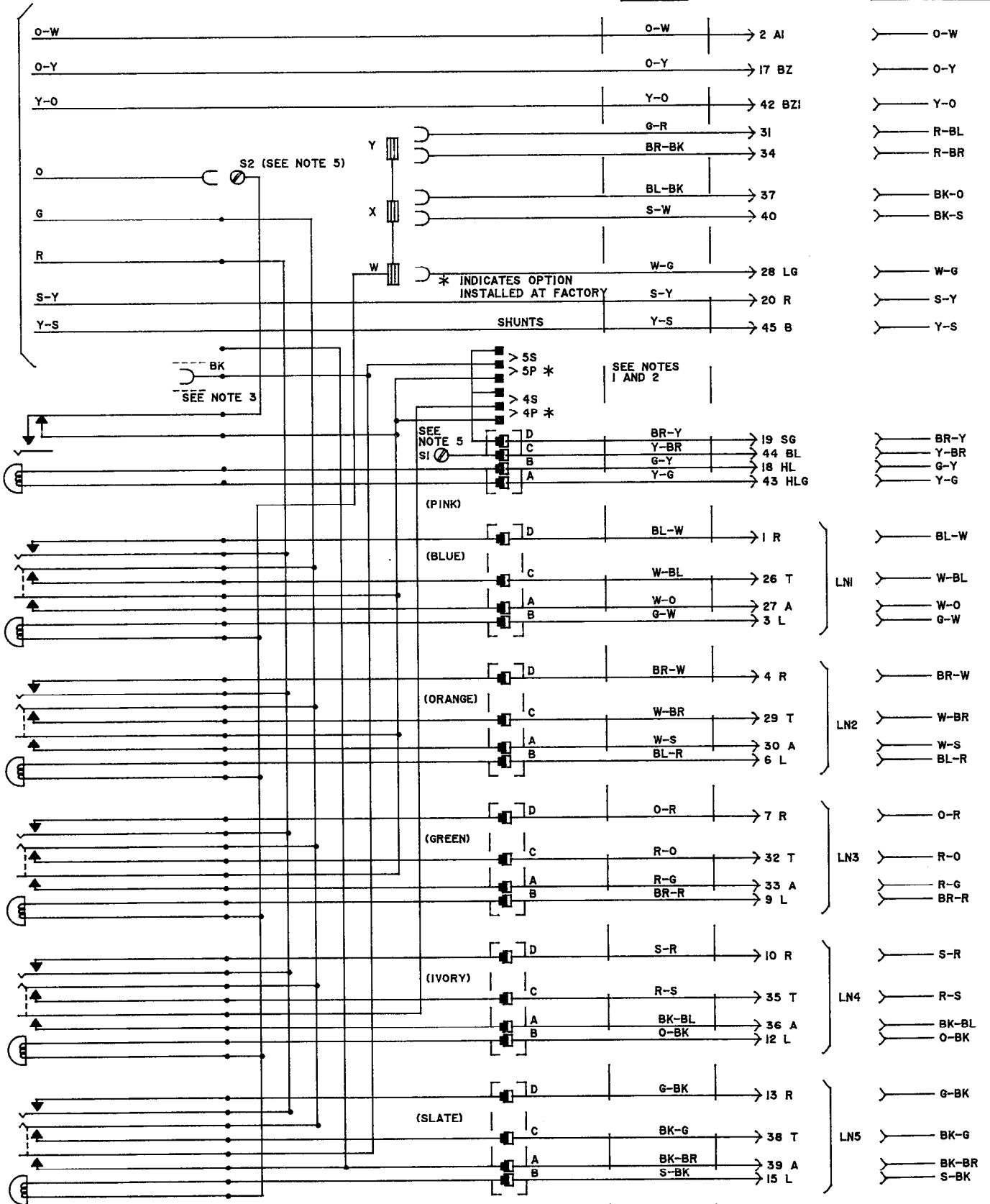
KEY

LINE CORD

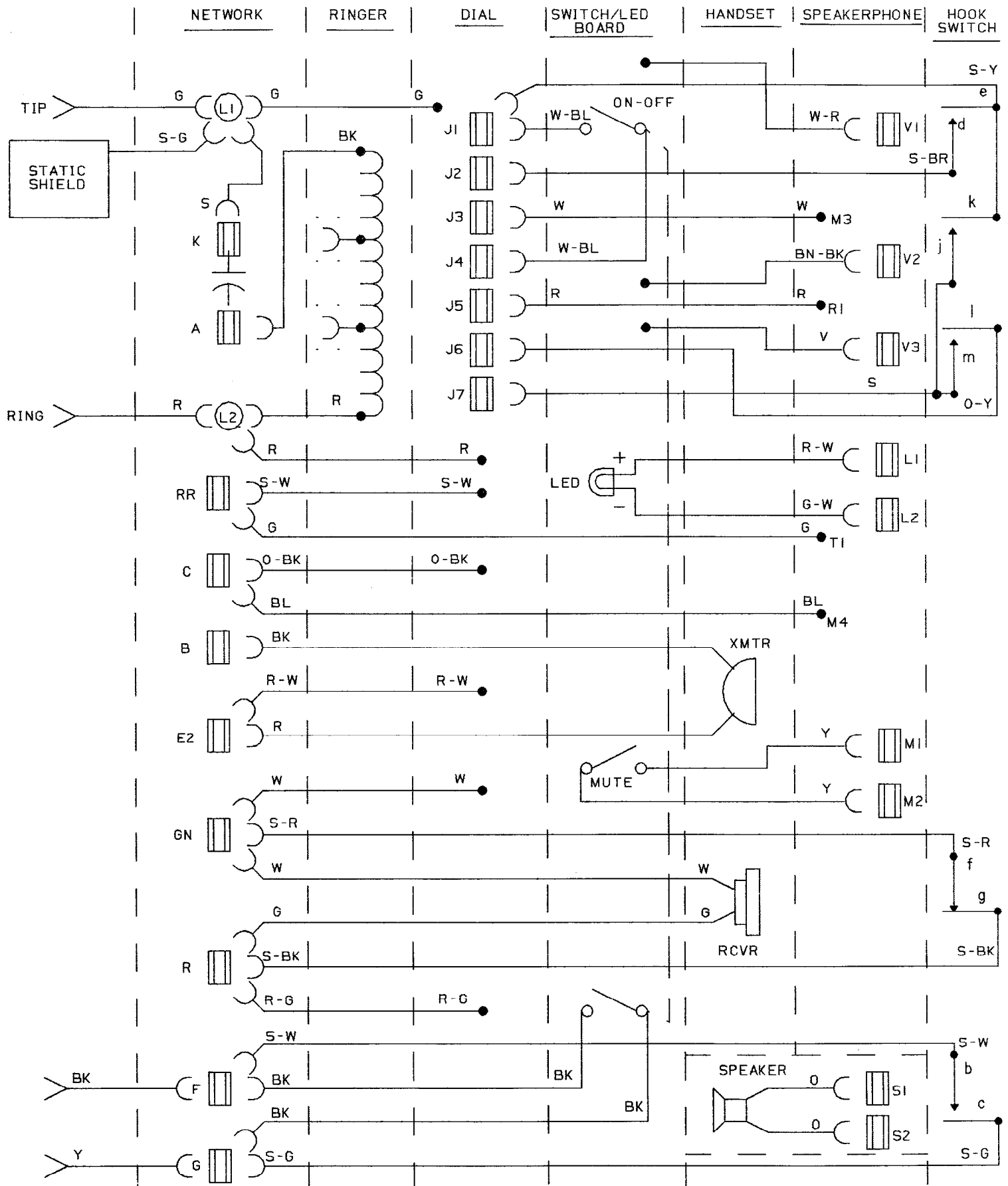
CONNECTOR

EXTERNAL CABLE

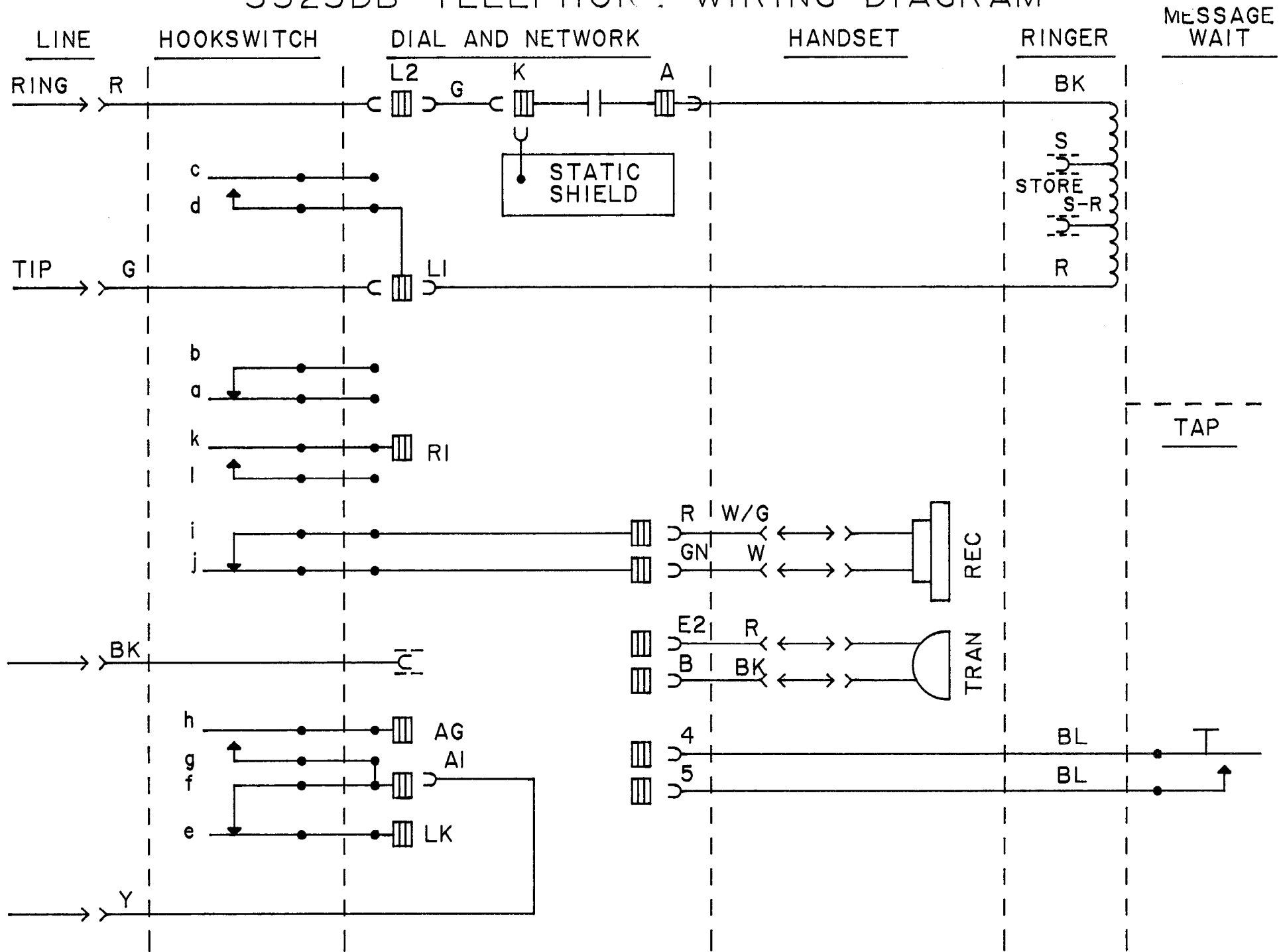
CONT'D FROM PRECEDING PAGE



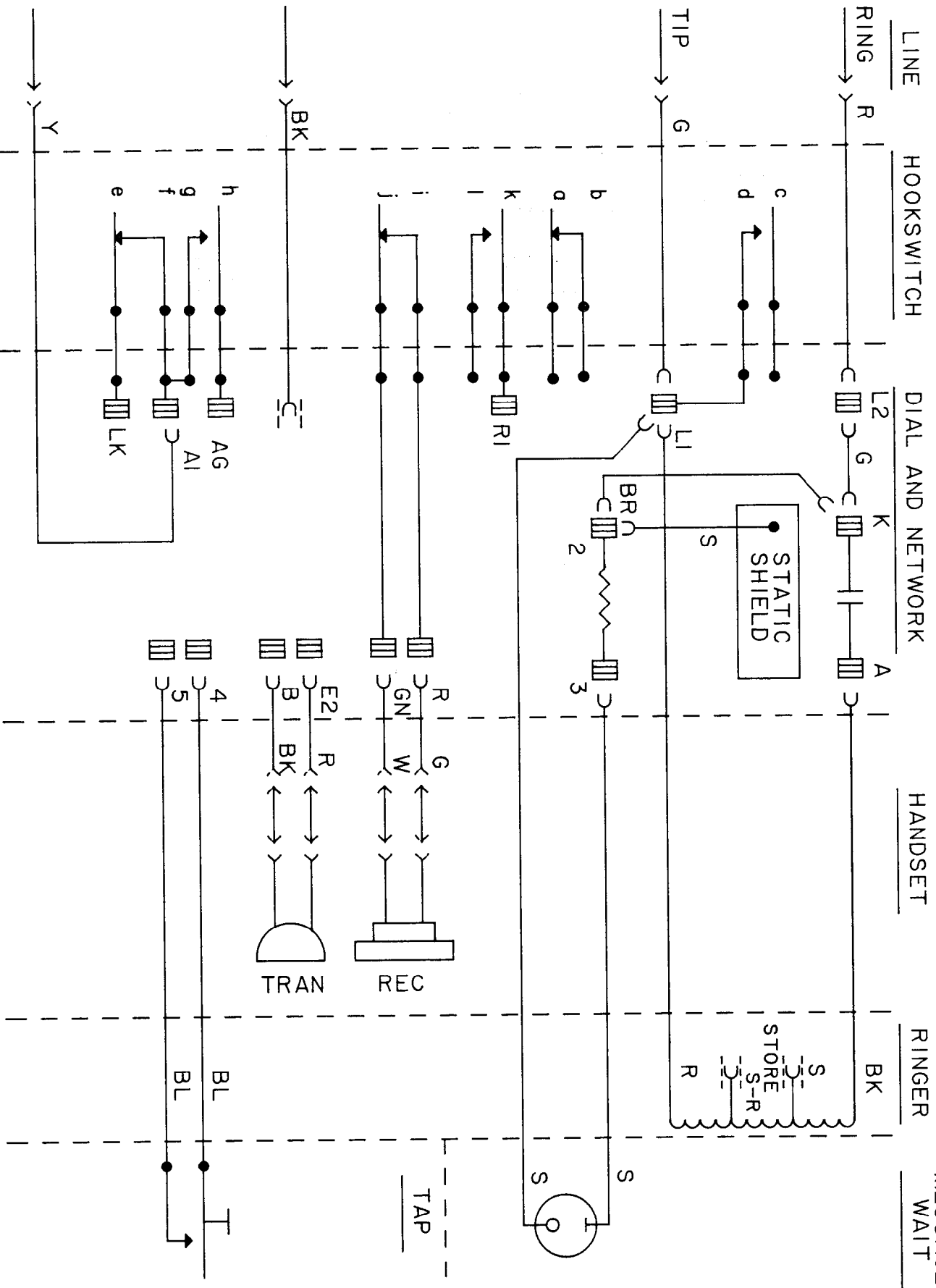
TELEPHONE WIRING DIAGRAM



3525DB TELEPHONE WIRING DIAGRAM



3525DBRY TELEPHONE WIRING DIAGRAM



3525SBY TELEPHONE WIRING DIAGRAM

MESSAGE
WAIT

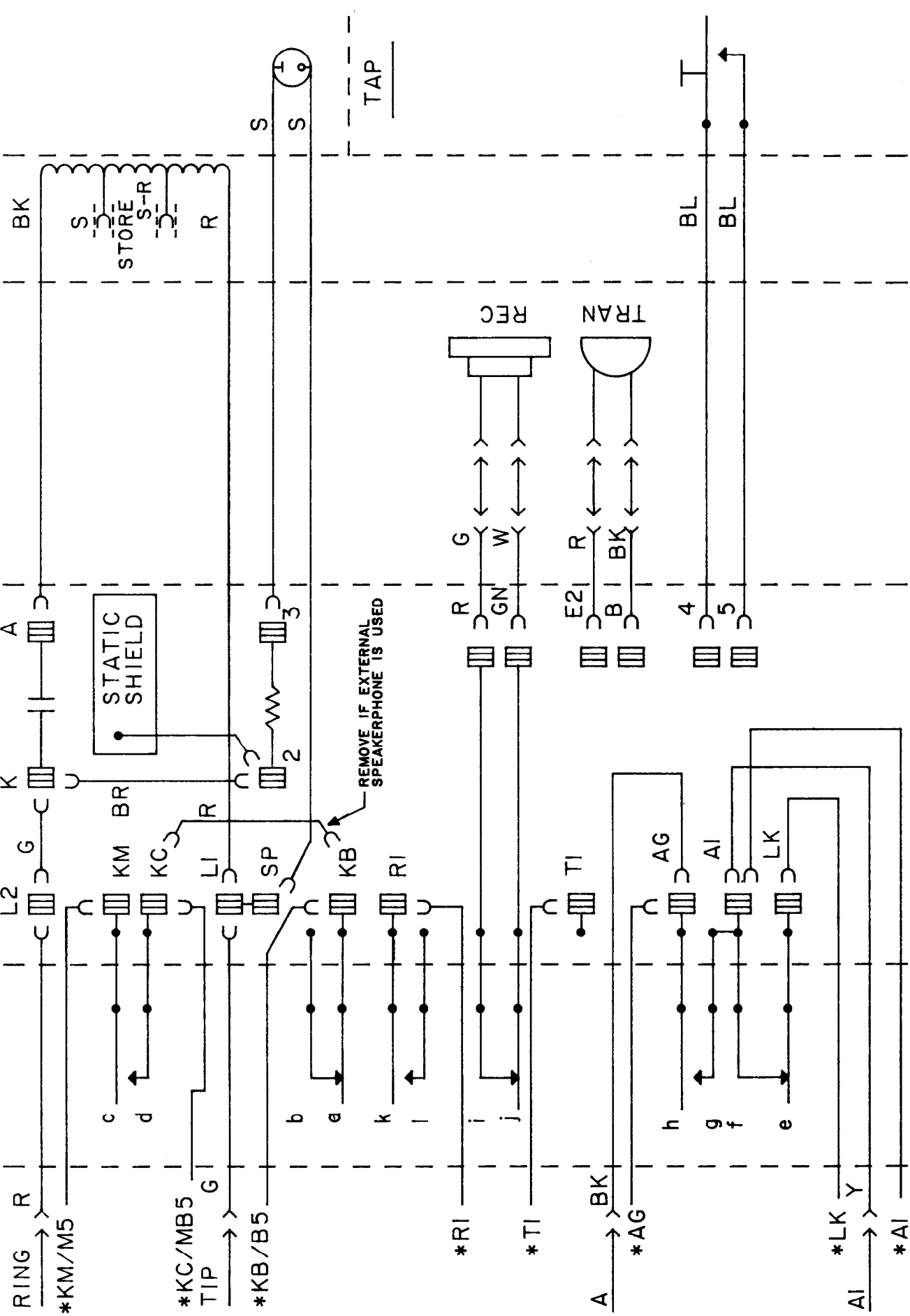
RINGER

HANDSET

DIAL AND NETWORK

HOOKSWITCH

LINE

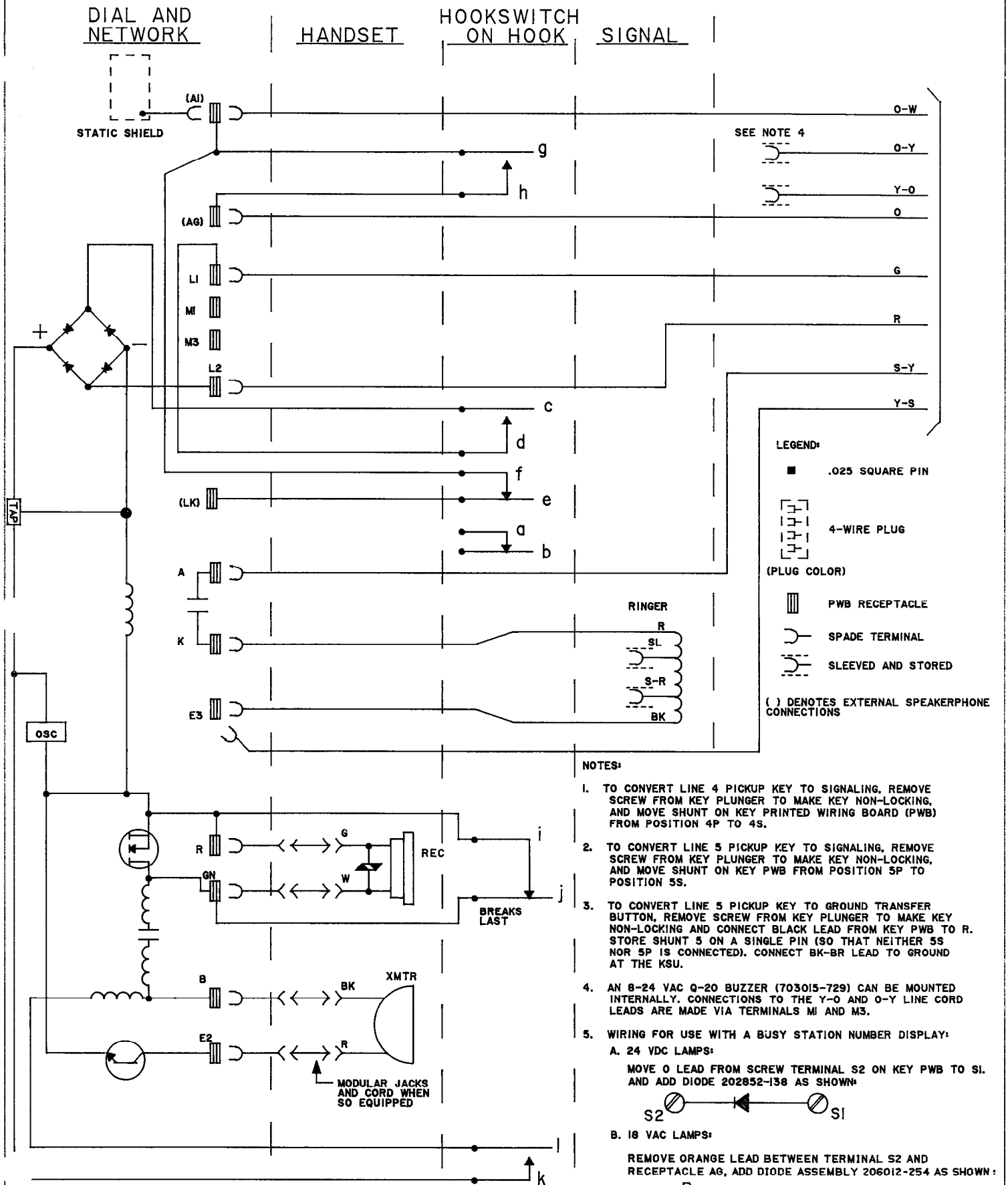


*EXTERNAL SPEAKERPHONE

COMDIAL

727260-000 ISS. 5

COMDIAL CT 3528D 6 BUTTON TELEPHONE (WITH TAP)



LEGEND:

■ .025 SQUARE PIN

⎓ 4-WIRE PLUG

(PLUG COLOR)

⎓ PWB RECEPTACLE

⎓ SPADE TERMINAL

⎓ SLEEVED AND STORED

() DENOTES EXTERNAL SPEAKERPHONE CONNECTIONS

NOTES:

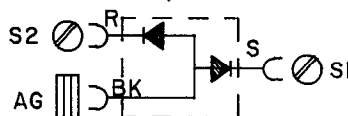
1. TO CONVERT LINE 4 PICKUP KEY TO SIGNALING, REMOVE SCREW FROM KEY PLUNGER TO MAKE KEY NON-LOCKING, AND MOVE SHUNT ON KEY PRINTED WIRING BOARD (PWB) FROM POSITION 4P TO 4S.
2. TO CONVERT LINE 5 PICKUP KEY TO SIGNALING, REMOVE SCREW FROM KEY PLUNGER TO MAKE KEY NON-LOCKING, AND MOVE SHUNT ON KEY PWB FROM POSITION 5P TO POSITION 5S.
3. TO CONVERT LINE 5 PICKUP KEY TO GROUND TRANSFER BUTTON, REMOVE SCREW FROM KEY PLUNGER TO MAKE KEY NON-LOCKING AND CONNECT BLACK LEAD FROM KEY PWB TO R. STORE SHUNT 5 ON A SINGLE PIN (SO THAT NEITHER 5S NOR 5P IS CONNECTED). CONNECT BK-BR LEAD TO GROUND AT THE KSU.
4. AN 8-24 VAC Q-20 BUZZER (703015-729) CAN BE MOUNTED INTERNALLY. CONNECTIONS TO THE Y-0 AND O-Y LINE CORD LEADS ARE MADE VIA TERMINALS MI AND M3.
5. WIRING FOR USE WITH A BUSY STATION NUMBER DISPLAY:
 - A. 24 VDC LAMPS:

MOVE 0 LEAD FROM SCREW TERMINAL S2 ON KEY PWB TO S1 AND ADD DIODE 202852-138 AS SHOWN:



B. 18 VAC LAMPS:

REMOVE ORANGE LEAD BETWEEN TERMINAL S2 AND RECEPTACLE AG, ADD DIODE ASSEMBLY 206012-254 AS SHOWN:



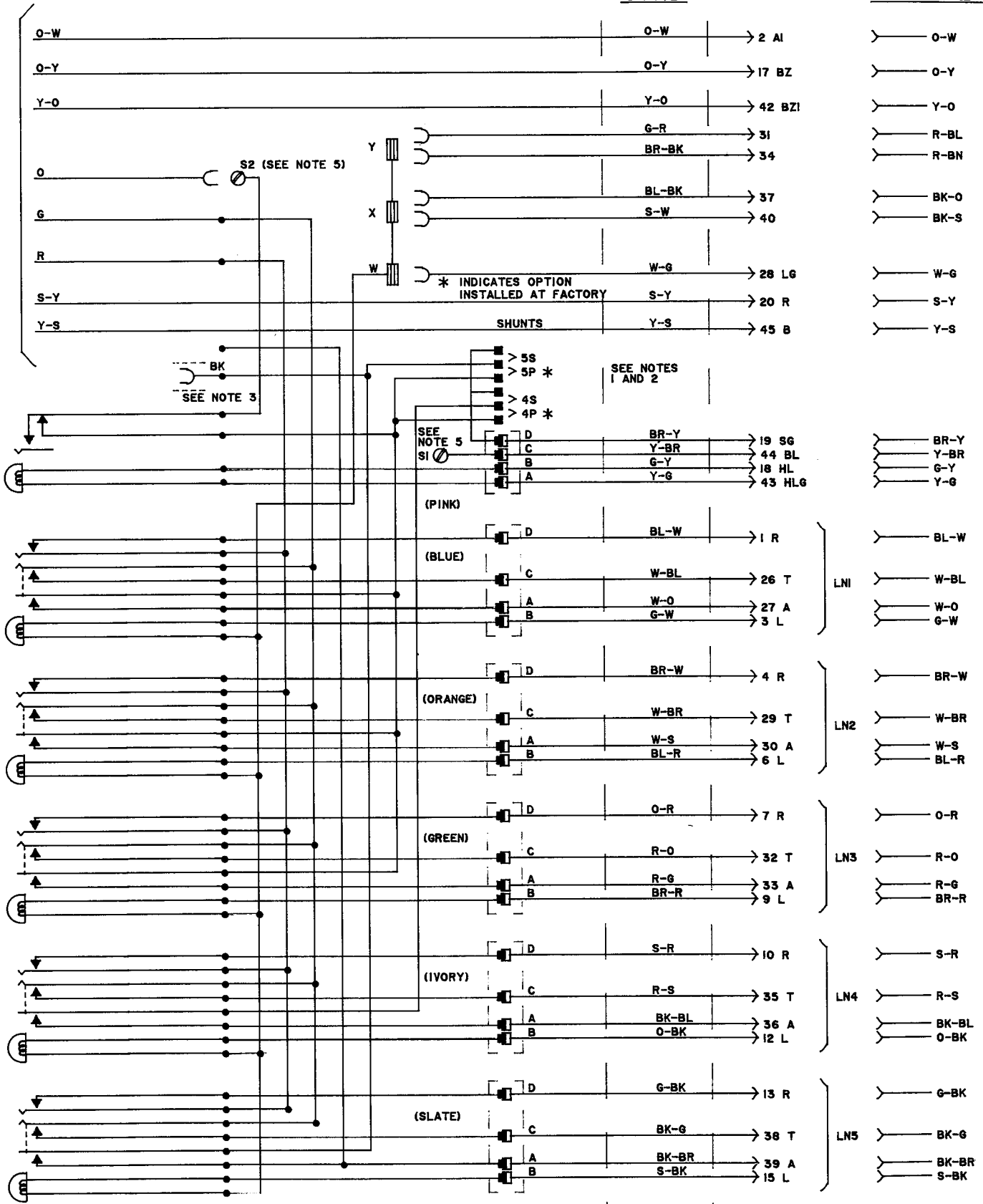
CONT'D FROM PRECEDING PAGE

KEY

LINE CORD

CONNECTOR

EXTERNAL CABLE



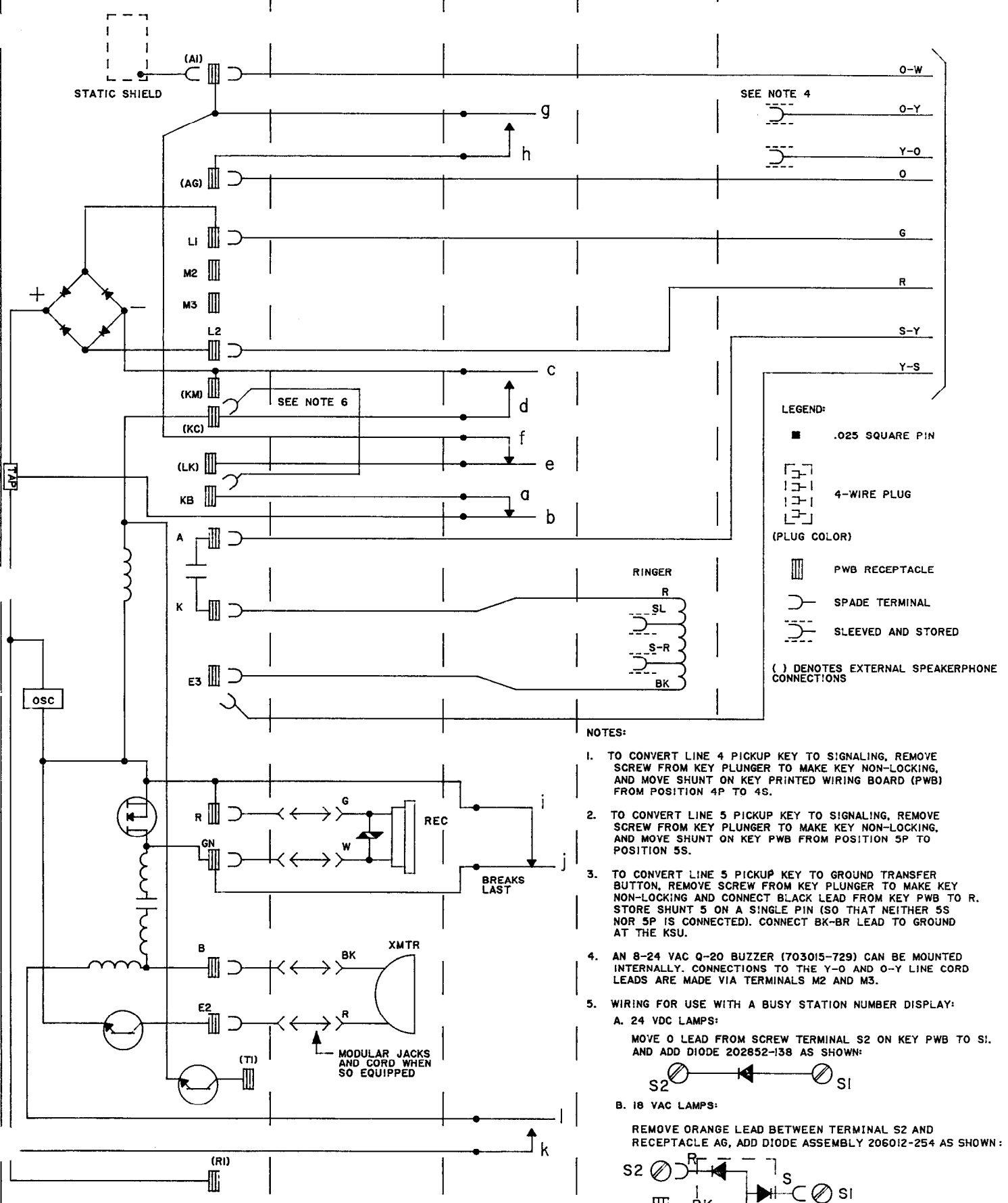
CT 3528S 6 BUTTON TELEPHONE

DIAL AND NETWORK

HANDSET

HOOKSWITCH ON HOOK

SIGNAL



SEE NOTE 4

SEE NOTE 6

LEGEND:

- .025 SQUARE PIN
- [] 4-WIRE PLUG
- (PLUG COLOR)
- [] PWB RECEPTACLE
- ⌋ SPADE TERMINAL
- ⌋ SLEEVED AND STORED
- () DENOTES EXTERNAL SPEAKERPHONE CONNECTIONS

NOTES:

1. TO CONVERT LINE 4 PICKUP KEY TO SIGNALING, REMOVE SCREW FROM KEY PLUNGER TO MAKE KEY NON-LOCKING, AND MOVE SHUNT ON KEY PRINTED WIRING BOARD (PWB) FROM POSITION 4P TO 4S.
2. TO CONVERT LINE 5 PICKUP KEY TO SIGNALING, REMOVE SCREW FROM KEY PLUNGER TO MAKE KEY NON-LOCKING, AND MOVE SHUNT ON KEY PWB FROM POSITION 5P TO POSITION 5S.
3. TO CONVERT LINE 5 PICKUP KEY TO GROUND TRANSFER BUTTON, REMOVE SCREW FROM KEY PLUNGER TO MAKE KEY NON-LOCKING AND CONNECT BLACK LEAD FROM KEY PWB TO R. STORE SHUNT 5 ON A SINGLE PIN (SO THAT NEITHER 5S NOR 5P IS CONNECTED). CONNECT BK-BR LEAD TO GROUND AT THE KSU.
4. AN 8-24 VAC Q-20 BUZZER (703015-729) CAN BE MOUNTED INTERNALLY. CONNECTIONS TO THE Y-O AND O-Y LINE CORD LEADS ARE MADE VIA TERMINALS M2 AND M3.
5. WIRING FOR USE WITH A BUSY STATION NUMBER DISPLAY:
 - A. 24 VDC LAMPS:
MOVE 0 LEAD FROM SCREW TERMINAL S2 ON KEY PWB TO S1. AND ADD DIODE 202852-138 AS SHOWN:
 - B. 18 VAC LAMPS:
REMOVE ORANGE LEAD BETWEEN TERMINAL S2 AND RECEPTACLE AG, ADD DIODE ASSEMBLY 206012-254 AS SHOWN:
6. REMOVE STRAP BETWEEN TERMINALS KC AND KB WHEN EXTERNAL SPEAKERPHONE IS USED.

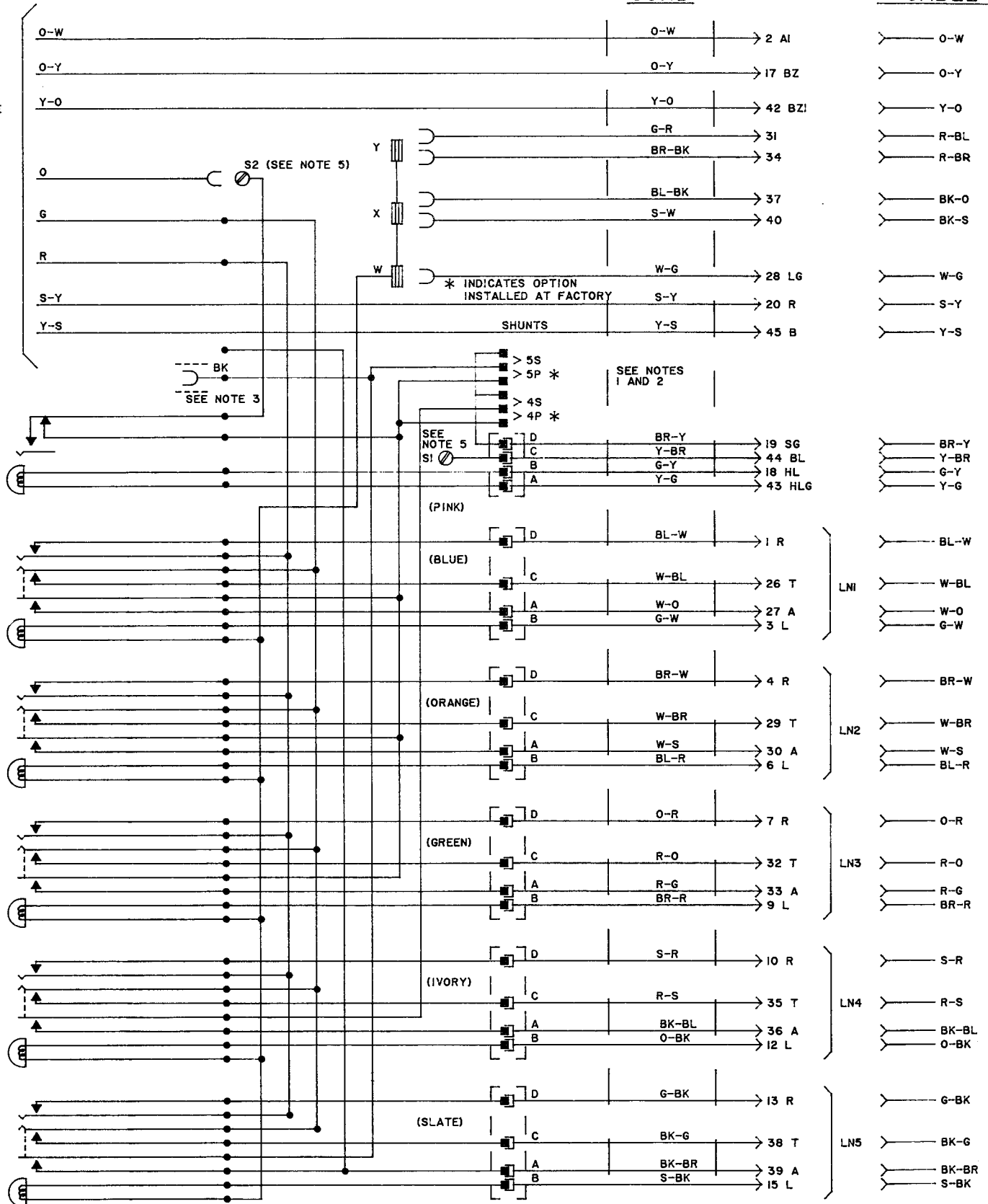
CONT'D FROM PRECEDING PAGE

KEY

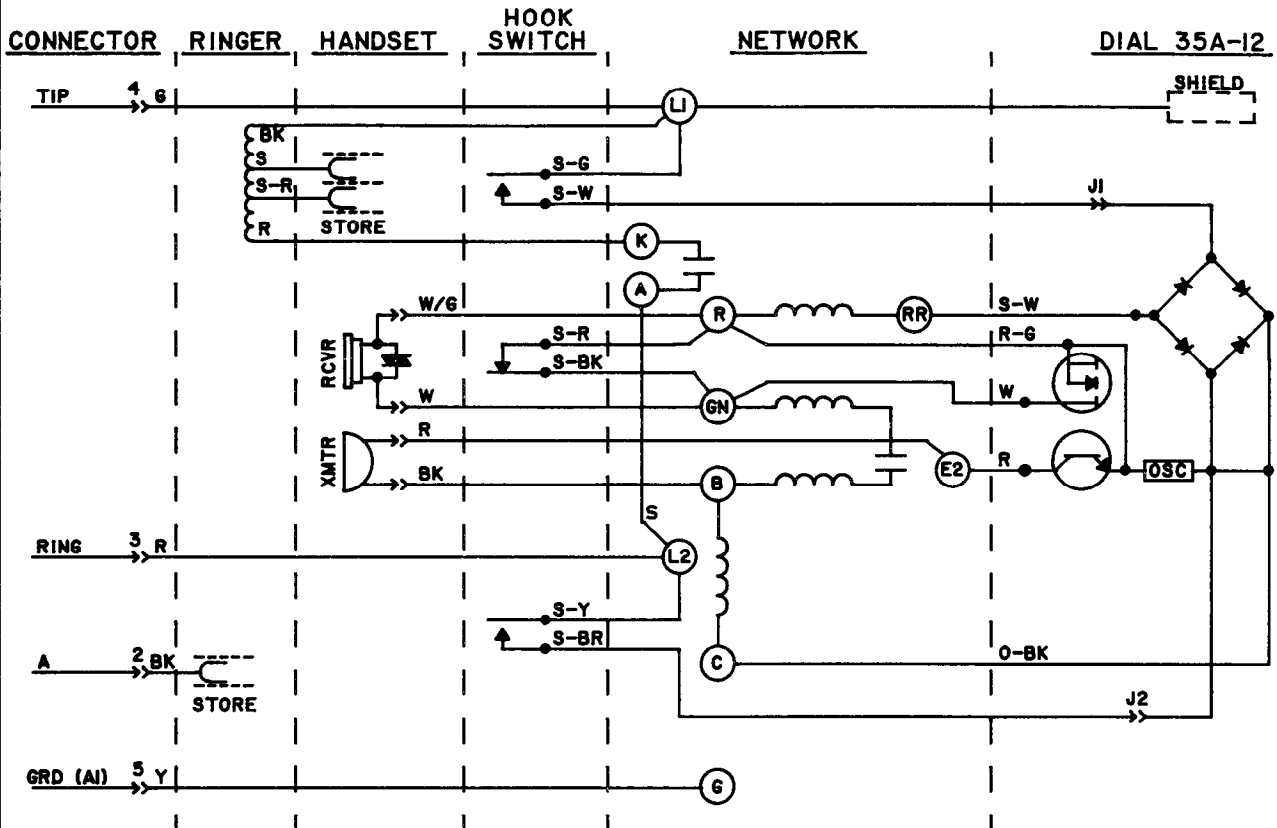
LINE CORD

CONNECTOR

EXTERN. CABLE



3525D,3625D TELEPHONE WIRING DIAGRAM COMDIAL TELEPHONE SYSTEMS



FOR "A" LEAD CONTROL: CONNECT GREEN LEAD (AND BK RINGER LEAD) TO #1 ON TONE DIAL, BLACK LINE LEAD TO LI, AND SLATE-WHITE HOOKSWITCH LEAD AND SHIELD LEAD TO "6".

WARNING

THIS TELEPHONE TONE-DIAL[®] GENERATES AND USES RADIO FREQUENCY ENERGY. IF NOT INSTALLED PROPERLY, IT MAY CAUSE INTERFERENCE TO RADIO OR TELEVISION RECEPTION.

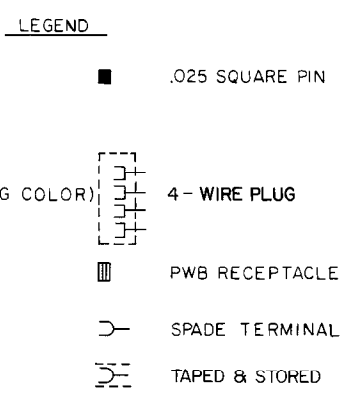
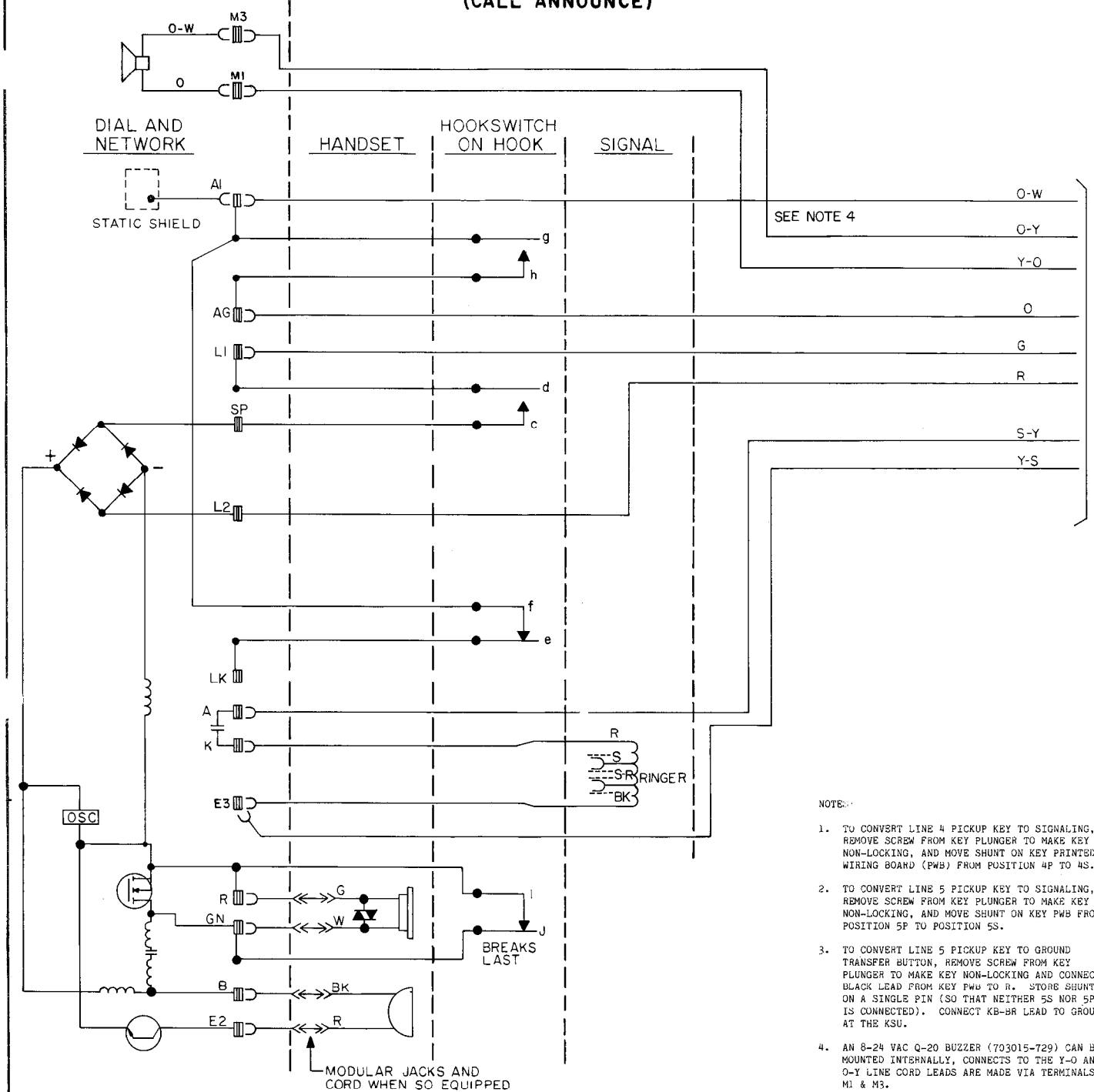
THIS DIAL HAS BEEN TYPE TESTED AND FOUND TO COMPLY WITH THE LIMITS FOR A CLASS B COMPUTING DEVICE IN ACCORDANCE WITH THE SPECIFICATIONS IN SUBPART J OF PART 15 OF FCC RULES, WHICH ARE DESIGNED TO PROVIDE REASONABLE PROTECTION AGAINST SUCH INTERFERENCE IN A RESIDENTIAL INSTALLATION. HIGHER LEVELS OF INTERFERENCE ARE PERMISSIBLE IN BUSINESS INSTALLATIONS THAN IN RESIDENTIAL INSTALLATIONS.

THERE IS NO GUARANTEE THAT INTERFERENCE WILL NOT OCCUR IN A PARTICULAR INSTALLATION. IF THE DIAL SHOULD CAUSE INTERFERENCE TO RADIO OR TELEVISION RECEPTION, INTERFERENCE WILL BE PRESENT ONLY WHILE DIALING IS IN PROGRESS. IF THIS IS DETERMINED TO OCCUR, THE USER IS ENCOURAGED TO TRY TO CORRECT THE INTERFERENCE BY ONE OR MORE OF THE FOLLOWING MEASURES:

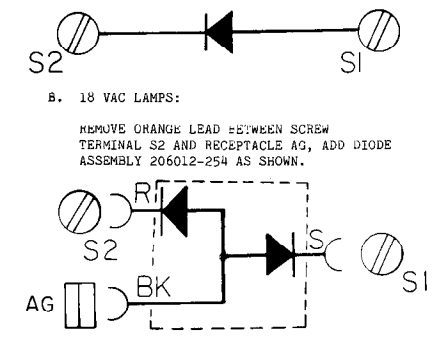
- REORIENT THE RECEIVING ANTENNA
- RELOCATE THE RECEIVER OR THE TELEPHONE
- USE A DIFFERENT BRANCH POWER CIRCUIT FOR THE RECEIVER

FOR FURTHER ASSISTANCE, CONTACT COMDIAL OR AN EXPERIENCED RADIO/TELEVISION TECHNICIAN.

CTS 3528D - 6 BUTTON TELEPHONE (CALL ANNOUNCE)



- NOTE:
- TO CONVERT LINE 4 PICKUP KEY TO SIGNALING, REMOVE SCREW FROM KEY PLUNGER TO MAKE KEY NON-LOCKING, AND MOVE SHUNT ON KEY PRINTED WIRING BOARD (PWB) FROM POSITION 4P TO 4S.
 - TO CONVERT LINE 5 PICKUP KEY TO SIGNALING, REMOVE SCREW FROM KEY PLUNGER TO MAKE KEY NON-LOCKING, AND MOVE SHUNT ON KEY PWB FROM POSITION 5P TO POSITION 5S.
 - TO CONVERT LINE 5 PICKUP KEY TO GROUND TRANSFER BUTTON, REMOVE SCREW FROM KEY PLUNGER TO MAKE KEY NON-LOCKING AND CONNECT BLACK LEAD FROM KEY PWB TO R. SHUNT 5 ON A SINGLE PIN (SO THAT NEITHER 5S NOR 5P IS CONNECTED). CONNECT KB-BR LEAD TO GROUND AT THE KSU.
 - AN 8-24 VAC Q-20 BUZZER (703015-729) CAN BE MOUNTED INTERNALLY, CONNECTS TO THE Y-O AND O-Y LINE CORD LEADS ARE MADE VIA TERMINALS M1 & M3.
 - WIRING FOR USE WITH A BUSY STATION NUMBER DISPLAY:
 - A. 24 VDC LAMPS:
MOVE ORANGE LEAD FROM SCREW TERMINAL S2 ON KEY PWB TO S1, AND ADD DIODE 202852-138 AS SHOWN.
 - B. 18 VAC LAMPS:
REMOVE ORANGE LEAD BETWEEN SCREW TERMINAL S2 AND RECEPTACLE AG, ADD DIODE ASSEMBLY 206012-254 AS SHOWN.



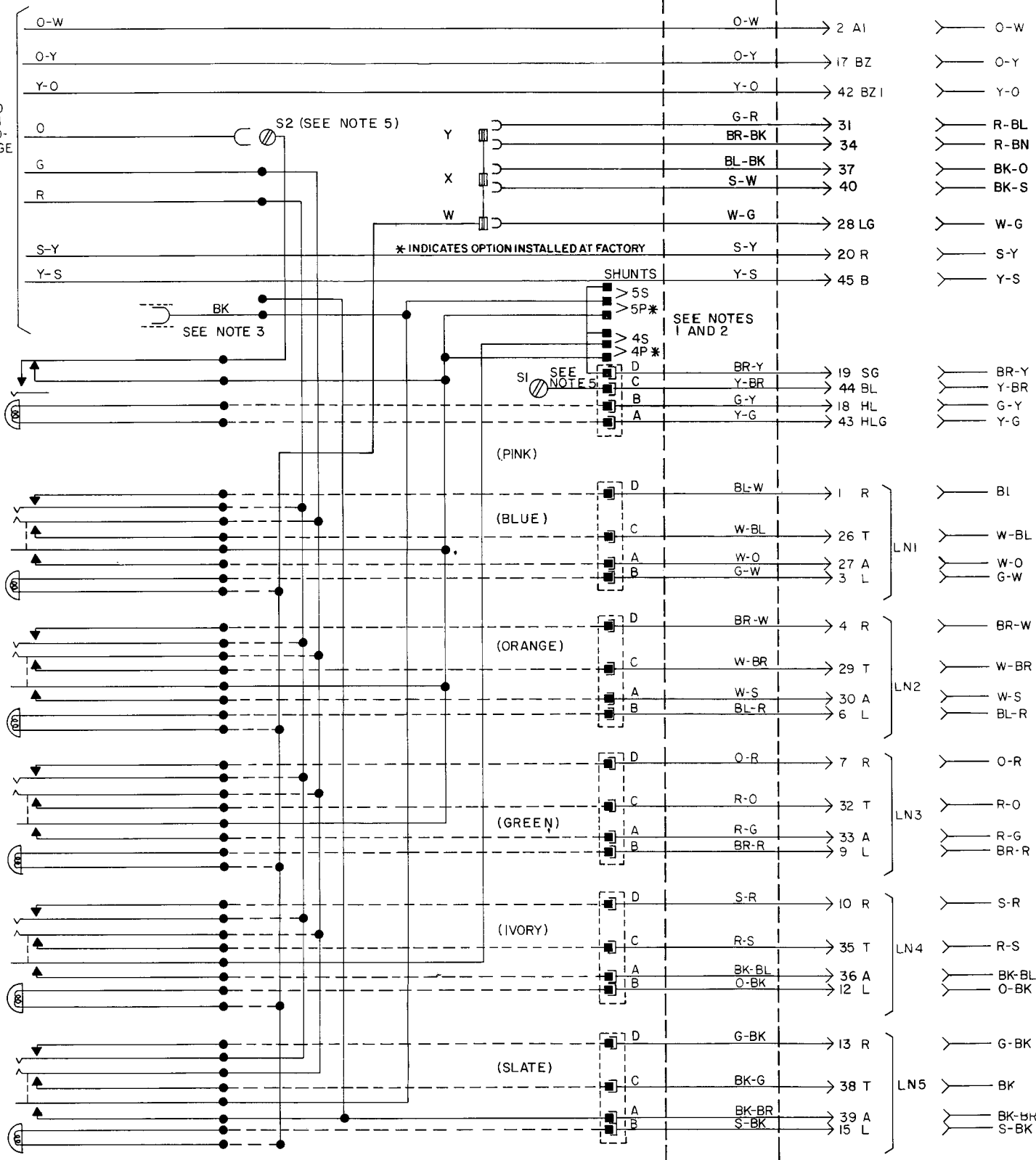
CONT'D FROM PRECEDING PAGE

KEY

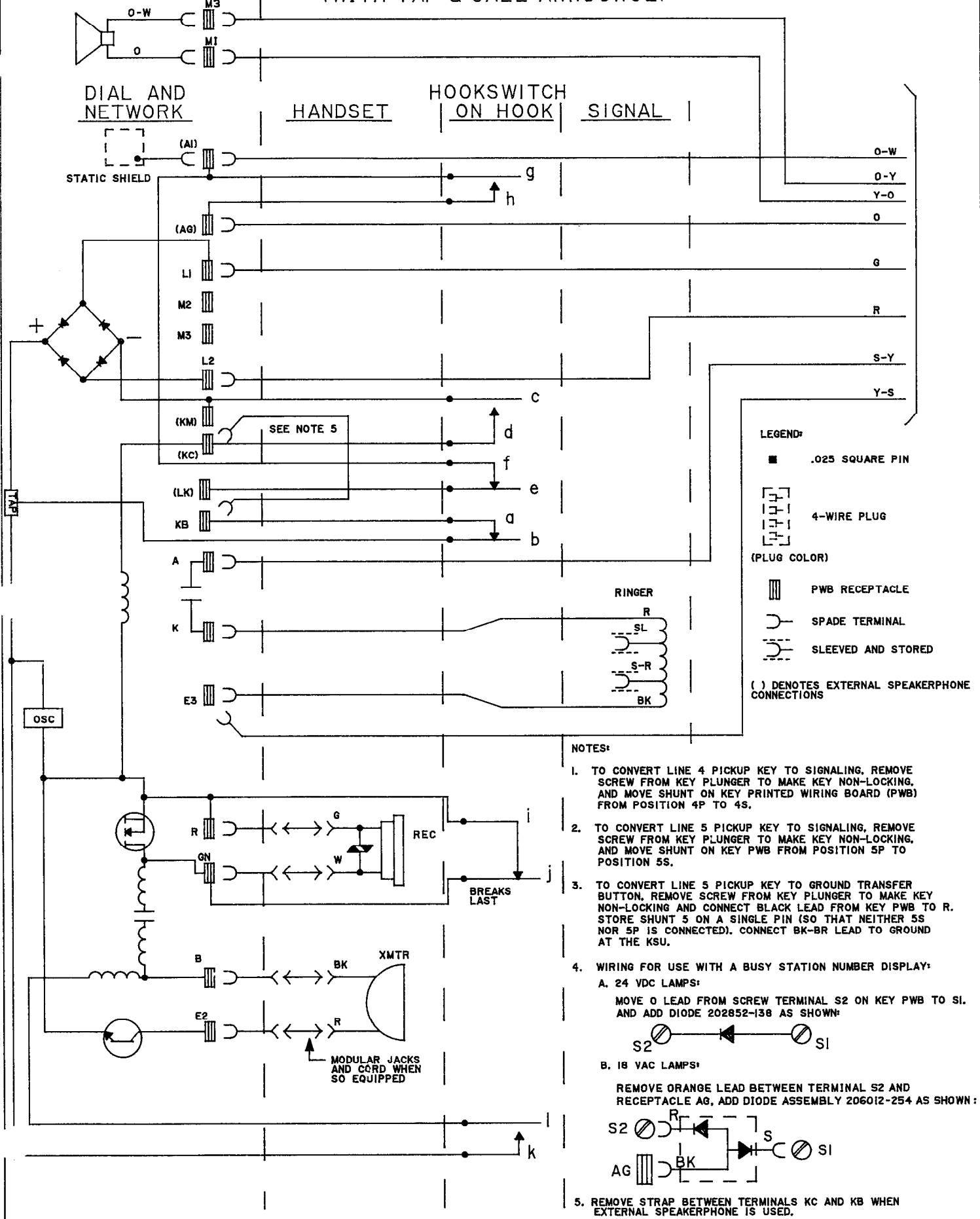
LINE CORD

CONNECTOR

EXTERNAL CABLE



CT 3528D BR 6-BUTTON TELEPHONE (WITH TAP & CALL ANNOUNCE)



LEGEND:

- .025 SQUARE PIN
- [] 4-WIRE PLUG
- () (PLUG COLOR)
- ▮ PWB RECEPTACLE
- ⌋ SPADE TERMINAL
- ⌋ SLEEVED AND STORED
- () DENOTES EXTERNAL SPEAKERPHONE CONNECTIONS

- NOTES:**
1. TO CONVERT LINE 4 PICKUP KEY TO SIGNALING, REMOVE SCREW FROM KEY PLUNGER TO MAKE KEY NON-LOCKING, AND MOVE SHUNT ON KEY PRINTED WIRING BOARD (PWB) FROM POSITION 4P TO 4S.
 2. TO CONVERT LINE 5 PICKUP KEY TO SIGNALING, REMOVE SCREW FROM KEY PLUNGER TO MAKE KEY NON-LOCKING, AND MOVE SHUNT ON KEY PWB FROM POSITION 5P TO POSITION 5S.
 3. TO CONVERT LINE 5 PICKUP KEY TO GROUND TRANSFER BUTTON, REMOVE SCREW FROM KEY PLUNGER TO MAKE KEY NON-LOCKING AND CONNECT BLACK LEAD FROM KEY PWB TO R. STORE SHUNT 5 ON A SINGLE PIN (SO THAT NEITHER 5S NOR 5P IS CONNECTED). CONNECT BK-BR LEAD TO GROUND AT THE KSU.
 4. WIRING FOR USE WITH A BUSY STATION NUMBER DISPLAY:
 - A. 24 VDC LAMPS:

MOVE 0 LEAD FROM SCREW TERMINAL S2 ON KEY PWB TO S1. AND ADD DIODE 202852-138 AS SHOWN:

```

                    S2 ---|<--- S1
                    
```
 - B. 18 VAC LAMPS:

REMOVE ORANGE LEAD BETWEEN TERMINAL S2 AND RECEPTACLE AG, ADD DIODE ASSEMBLY 206012-254 AS SHOWN:

```

                    S2 ---|<--- R ---|<--- BK ---|<--- S --- S1
                    AG ---|<--- BK
                    
```
 5. REMOVE STRAP BETWEEN TERMINALS KC AND KB WHEN EXTERNAL SPEAKERPHONE IS USED.

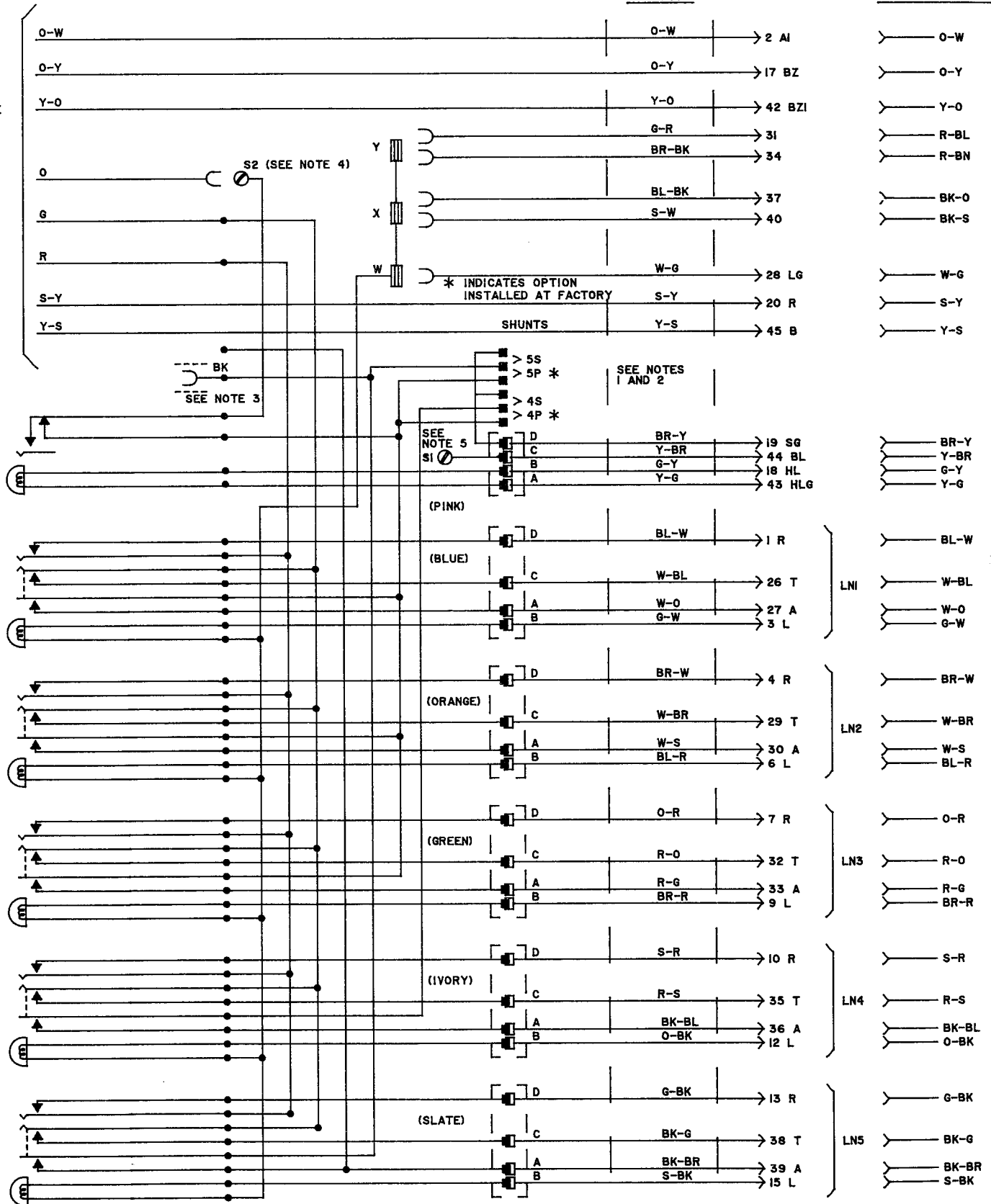
KEY

LINE CORD

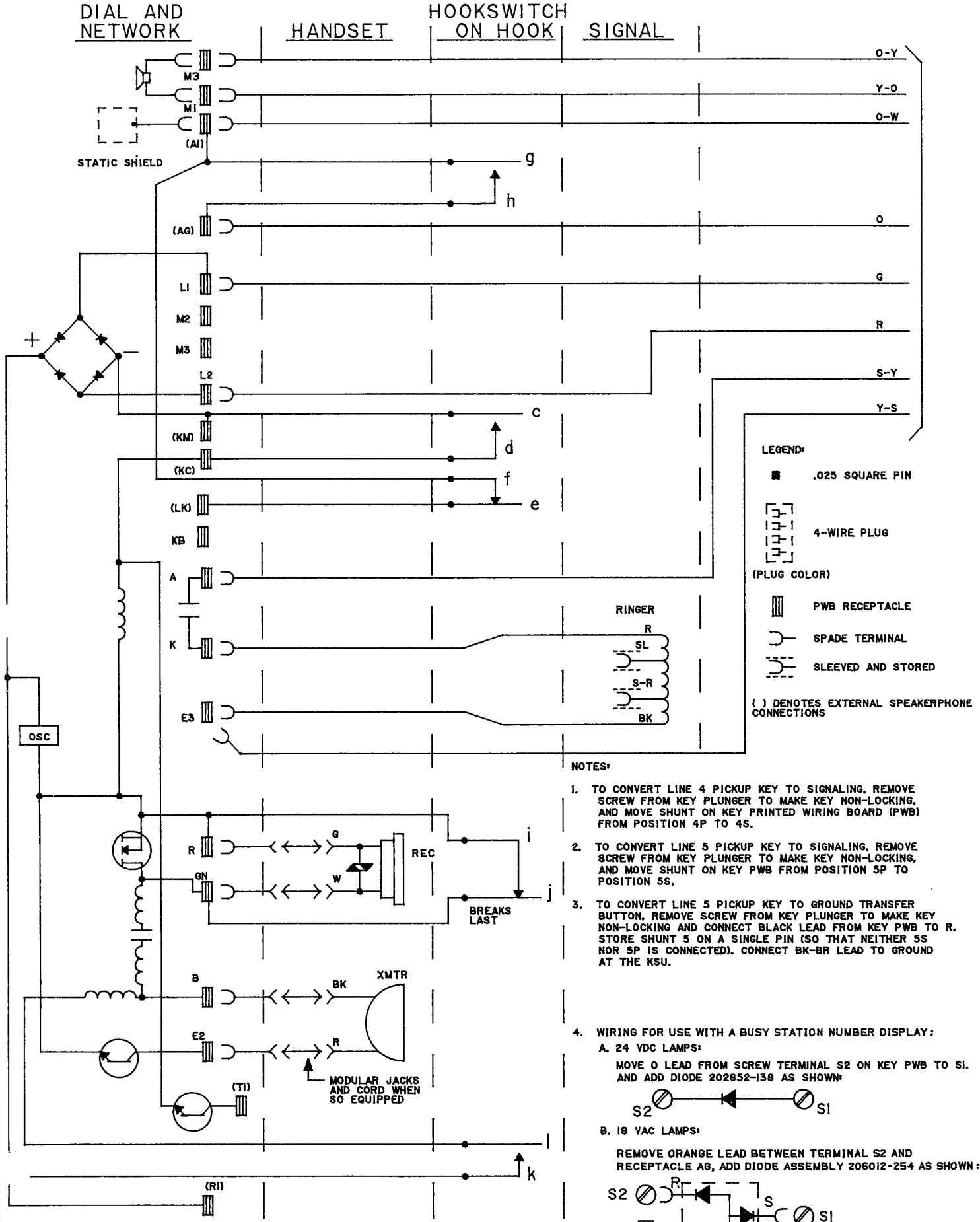
CONNECTOR

EXTERNAL CABLE

CONT'D FROM PRECEDING PAGE



CT 3528S B 6 BUTTON TELEPHONE (CALL ANNOUNCE)



LEGEND:

- .025 SQUARE PIN
- [] 4-WIRE PLUG
- () (PLUG COLOR)
- ▮ PWB RECEPTACLE
- ⌋ SPADE TERMINAL
- ⌋ SLEEVED AND STORED
- () DENOTES EXTERNAL SPEAKERPHONE CONNECTIONS

- NOTES:**
1. TO CONVERT LINE 4 PICKUP KEY TO SIGNALING, REMOVE SCREW FROM KEY PLUNGER TO MAKE KEY NON-LOCKING, AND MOVE SHUNT ON KEY PRINTED WIRING BOARD (PWB) FROM POSITION 4P TO 4S.
 2. TO CONVERT LINE 5 PICKUP KEY TO SIGNALING, REMOVE SCREW FROM KEY PLUNGER TO MAKE KEY NON-LOCKING, AND MOVE SHUNT ON KEY PWB FROM POSITION 5P TO POSITION 5S.
 3. TO CONVERT LINE 5 PICKUP KEY TO GROUND TRANSFER BUTTON. REMOVE SCREW FROM KEY PLUNGER TO MAKE KEY NON-LOCKING AND CONNECT BLACK LEAD FROM KEY PWB TO R. STORE SHUNT 5 ON A SINGLE PIN (SO THAT NEITHER 5S NOR 5P IS CONNECTED). CONNECT BK-BR LEAD TO GROUND AT THE KSU.
 4. WIRING FOR USE WITH A BUSY STATION NUMBER DISPLAY:
 - A. 24 VDC LAMPS:

MOVE O LEAD FROM SCREW TERMINAL S2 ON KEY PWB TO S1, AND ADD DIODE 202852-138 AS SHOWN:
 - B. 18 VAC LAMPS:

REMOVE ORANGE LEAD BETWEEN TERMINAL S2 AND RECEPTACLE AG, ADD DIODE ASSEMBLY 206012-254 AS SHOWN:
 5. REMOVE STRAP BETWEEN TERMINALS KC AND KB WHEN EXTERNAL SPEAKERPHONE IS USED.

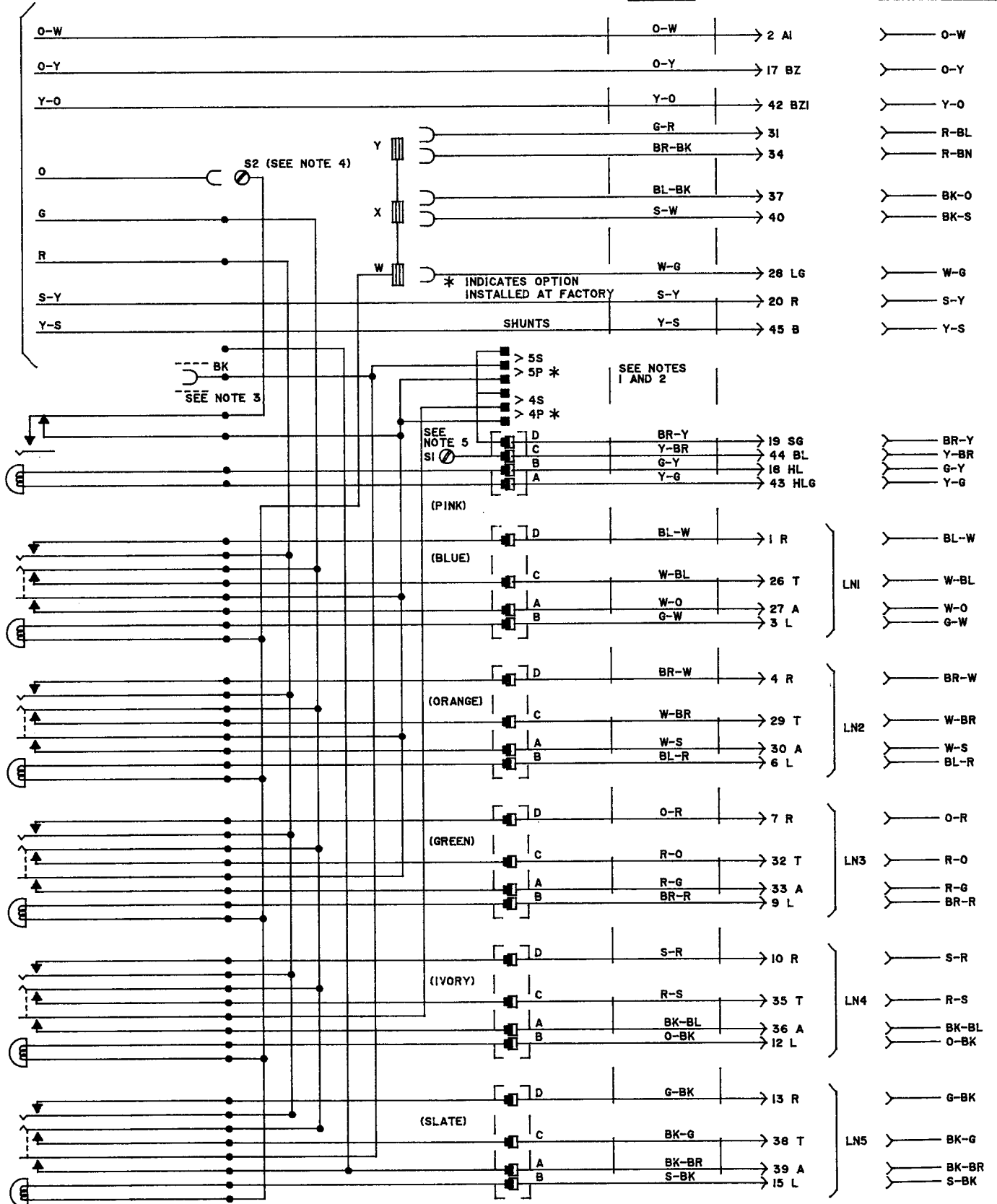
CONT'D FROM PRECEDING PAGE

KEY

LINE CORD

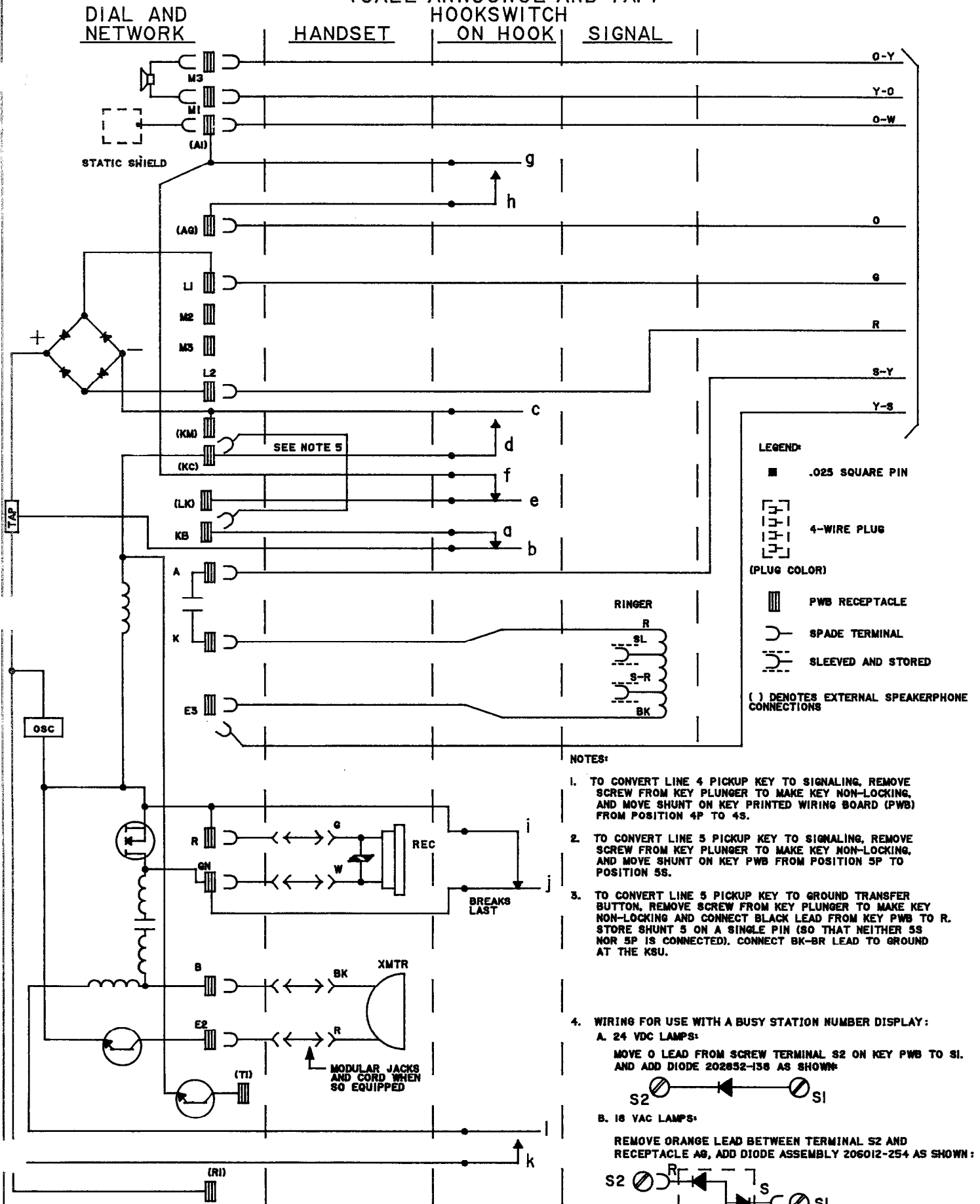
CONNECTOR

EXTERNAL CABLE



CT 3528S BR 6 BUTTON TELEPHONE

(CALL ANNOUNCE AND TAP)



LEGEND:

- .025 SQUARE PIN
- [] 4-WIRE PLUG
- () (PLUG COLOR)
- ▬ PWB RECEPTACLE
- SPADE TERMINAL
- SLEEVED AND STORED
- () DENOTES EXTERNAL SPEAKERPHONE CONNECTIONS

- NOTES:**
1. TO CONVERT LINE 4 PICKUP KEY TO SIGNALING, REMOVE SCREW FROM KEY PLUNGER TO MAKE KEY NON-LOCKING, AND MOVE SHUNT ON KEY PRINTED WIRING BOARD (PWB) FROM POSITION 4P TO 4S.
 2. TO CONVERT LINE 5 PICKUP KEY TO SIGNALING, REMOVE SCREW FROM KEY PLUNGER TO MAKE KEY NON-LOCKING, AND MOVE SHUNT ON KEY PWB FROM POSITION 5P TO POSITION 5S.
 3. TO CONVERT LINE 5 PICKUP KEY TO GROUND TRANSFER BUTTON, REMOVE SCREW FROM KEY PLUNGER TO MAKE KEY NON-LOCKING AND CONNECT BLACK LEAD FROM KEY PWB TO R. STORE SHUNT 5 ON A SINGLE PIN (SO THAT NEITHER 5S NOR 5P IS CONNECTED), CONNECT BK-BR LEAD TO GROUND AT THE KSU.
 4. WIRING FOR USE WITH A BUSY STATION NUMBER DISPLAY:
 - A. 24 VDC LAMPS:

MOVE 0 LEAD FROM SCREW TERMINAL S2 ON KEY PWB TO S1, AND ADD DIODE 202852-138 AS SHOWN:

S2 ————> S1
 - B. 16 VAC LAMPS:

REMOVE ORANGE LEAD BETWEEN TERMINAL S2 AND RECEPTACLE A8, ADD DIODE ASSEMBLY 206012-254 AS SHOWN:

S2 ————> R ————> S1

A8 ————> BK ————> S1
 5. REMOVE STRAP BETWEEN TERMINALS KC AND KB WHEN EXTERNAL SPEAKERPHONE IS USED.

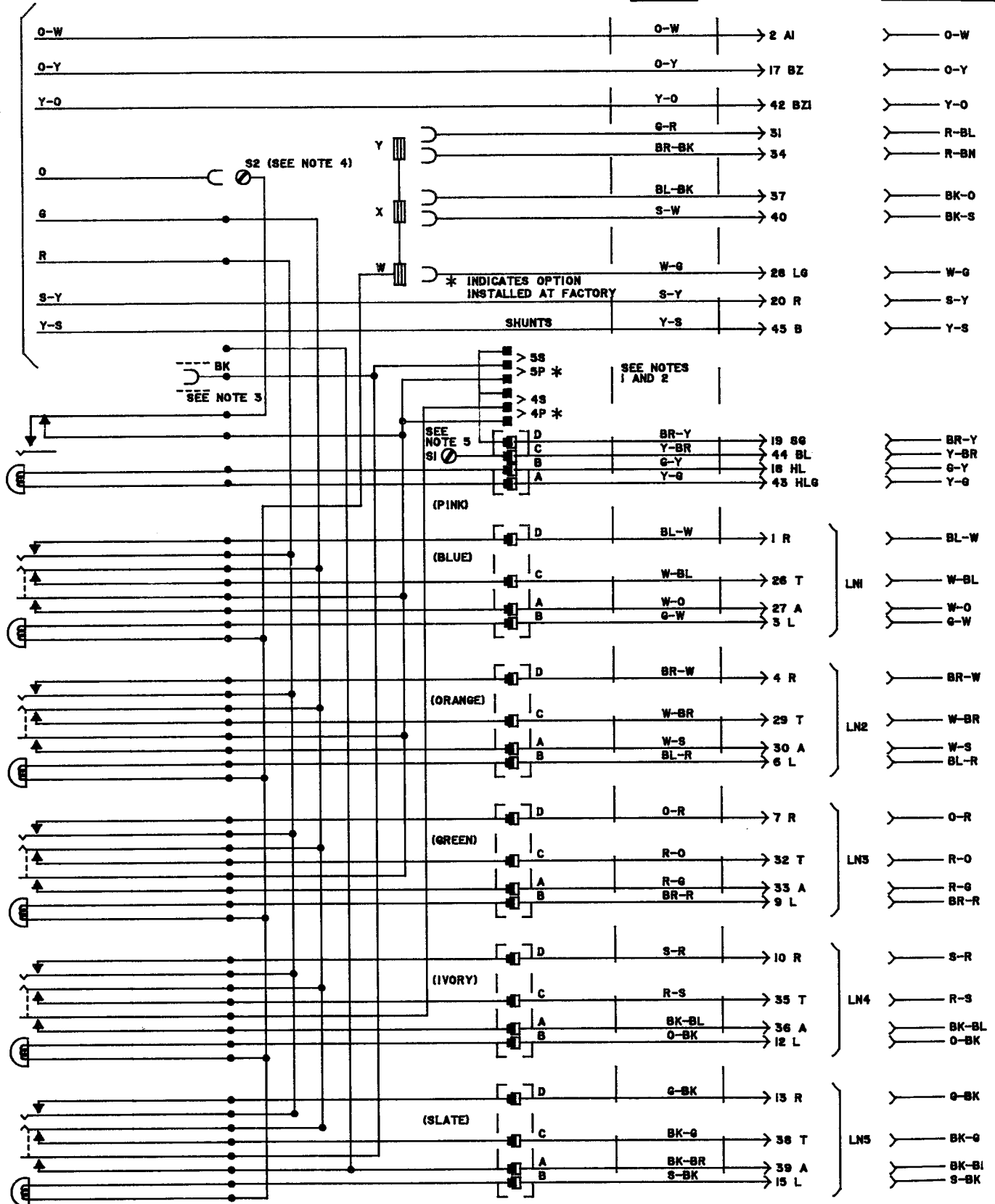
CONT'D FROM PRECEDING PAGE

KEY

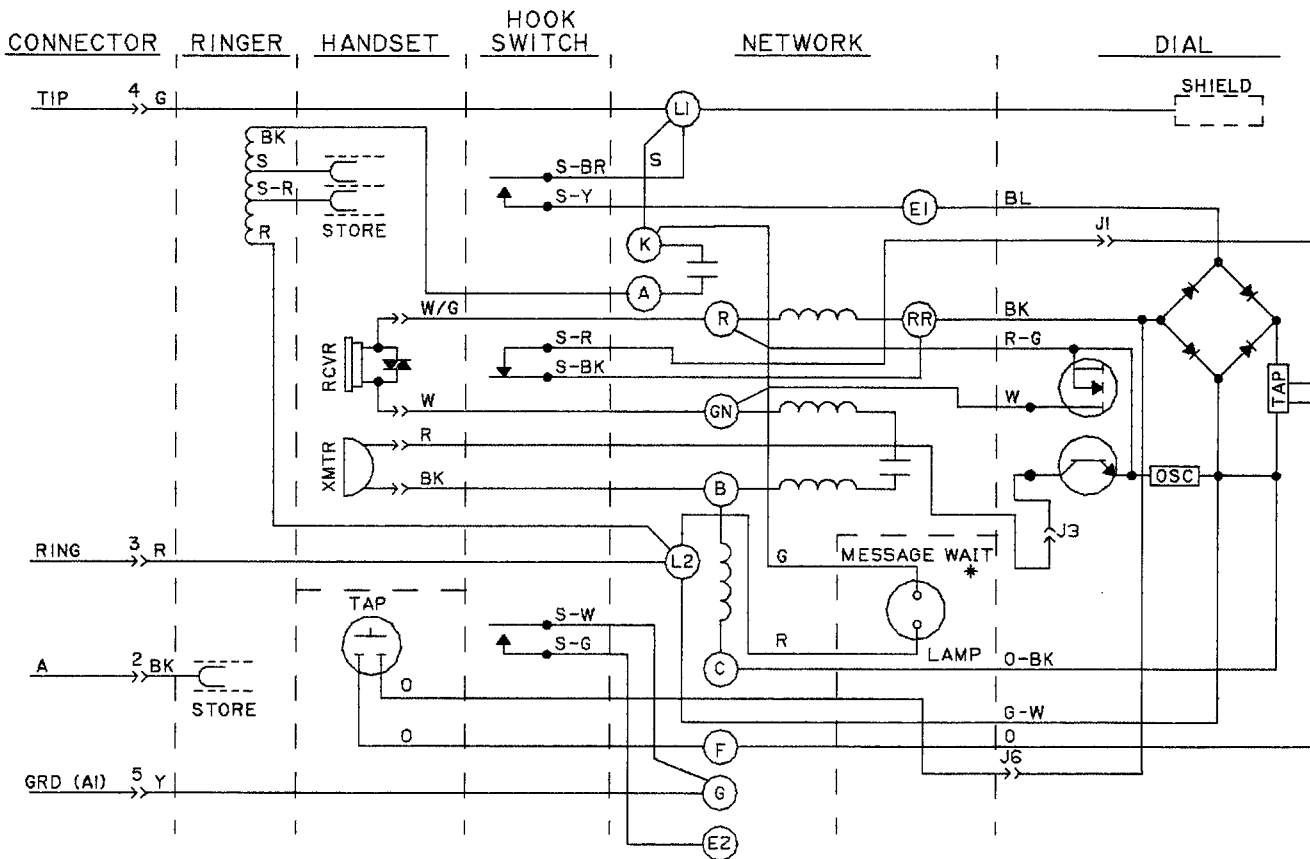
LINE CORD

CONNECTOR

EXTERN. CABLE



3625, TAP TELEPHONE WIRING DIAGRAM COMDIAL TELEPHONE SYSTEMS



* FOR UNITS WITH MESSAGE WAITING LAMP.
FOR "A" LEAD CONTROL: CONNECT BLACK LEAD TO E2

WARNING

THIS TELEPHONE TONE-DIAL[®] GENERATES AND USES RADIO FREQUENCY ENERGY. IF NOT INSTALLED PROPERLY, IT MAY CAUSE INTERFERENCE TO RADIO OR TELEVISION RECEPTION.

THIS DIAL HAS BEEN TYPE TESTED AND FOUND TO COMPLY WITH THE LIMITS FOR A CLASS B COMPUTING DEVICE IN ACCORDANCE WITH THE SPECIFICATIONS IN SUBPART J OF PART 15 OF FCC RULES, WHICH ARE DESIGNED TO PROVIDE REASONABLE PROTECTION AGAINST SUCH INTERFERENCE IN A RESIDENTIAL INSTALLATION. HIGHER LEVELS OF INTERFERENCE ARE PERMISSIBLE IN BUSINESS INSTALLATIONS THAN IN RESIDENTIAL INSTALLATIONS.

THERE IS NO GUARANTEE THAT INTERFERENCE WILL NOT OCCUR IN A PARTICULAR INSTALLATION. IF THE DIAL SHOULD CAUSE INTERFERENCE TO RADIO OR TELEVISION RECEPTION, INTERFERENCE WILL BE PRESENT ONLY WHILE DIALING IS IN PROGRESS. IF THIS IS DETERMINED TO OCCUR, THE USER IS ENCOURAGED TO TRY TO CORRECT THE INTERFERENCE BY ONE OR MORE OF THE FOLLOWING MEASURES:

- REORIENT THE RECEIVING ANTENNA
- RELOCATE THE RECEIVER OR THE TELEPHONE
- USE A DIFFERENT BRANCH POWER CIRCUIT FOR THE RECEIVER

FOR FURTHER ASSISTANCE, CONTACT COMDIAL OR AN EXPERIENCED RADIO/TELEVISION TECHNICIAN.

COMDIAL

Business Communications Division
1180 Seminole Trail
P.O. Box 7266
Charlottesville, Virginia 22906-7266
(800) 446-7661
In Virginia: (804) 978-2288

711000-200
Printed in U.S.A.